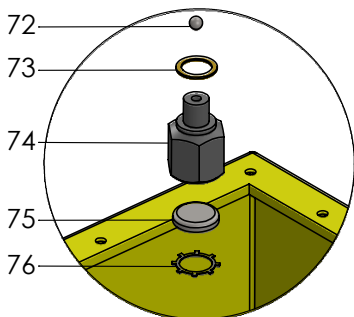
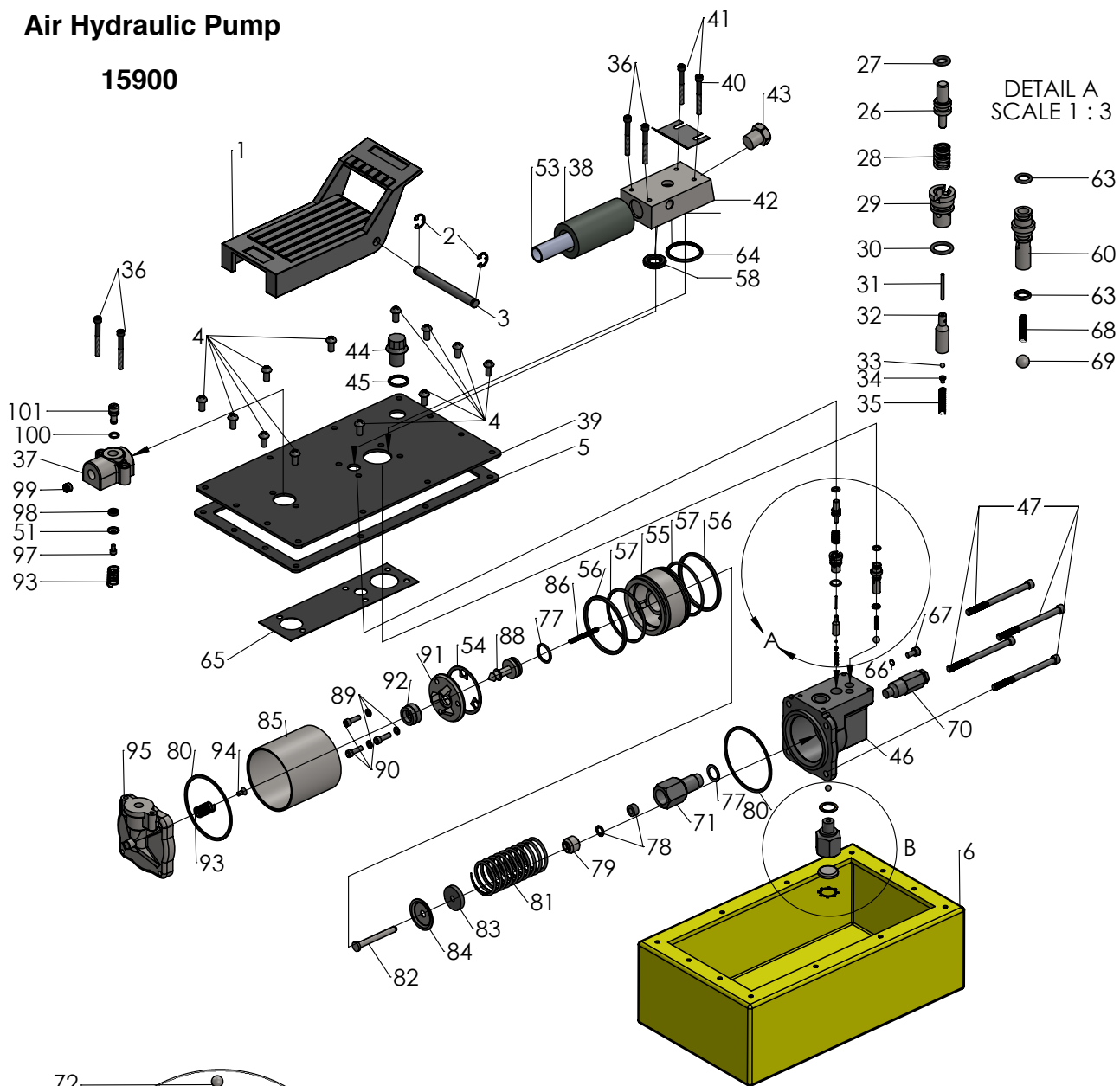




PARTS BREAKDOWN

Parts List For Air Hydraulic Pump

15900





PARTS BREAKDOWN

Parts List For Air Hydraulic Pump

15900

Item	Part No.	Stock No.	Qty	Description	Item	Part No.	Stock No.	Qty.	Description
1	15900-001	41322	1	Foot Pedal	58	15900-058	*10276	1	O-Ring
2	15900-002	*11032	2	Retaining Ring	59	15900-059	*10272	1	O-Ring
3	15900-003	28386	1	Pin	60	15900-060	34378	1	Check Valve Body
4	15900-004	211060	6	Screw	61	15900-061	*250638	1	Filter Disc
5	15900-005	*33853	1	Reservoir Gasket	62	15900-062	*11088	2	Retaining Ring
5	15920-005	*46271	1	Reservoir Gasket	63	15900-063	*12522	2	O-Ring
5	15940-005	*47409	1	Reservoir Gasket	64	11010-015	*11841	1	O-Ring
6	15900-006	61243	1	Reservoir	65	15900-065	*351021	1	Gasket
6	15920-006	64153OR	1	Reservoir	66	11000-022	*10442	1	Washer
6	15940-006	61165	1	Reservoir	67	15900-067	10002	1	Cap Screw
7	15900-007	*305494	1	Decal	68	15900-068	*10445	1	Compression Spring
8	15900-008	302466	1	Spring Clip	69	15900-069	*10423	2	Steel Ball
9	15900-009	260154	1	Trade Name Decal	70	15900-070	-	-	Relief Valve
10	15900-010	251762	1	Warning Decal	71	15900-071	45278	1	Piston Cylinder
11	15900-004	211060	4	Screw	72	11010-014	*10375	1	Steel Ball
11	15940-004	252168	4	Screw	73	11010-019	*10261	1	Copper Washer
25	15900-025	*2066504	1	Foam Tube	74	15900-074	308893	1	Filter Adapter
26	15900-026	28227	1	Release Valve Button	75	15900-075	214578	1	Filter
27	15900-027	*10266	1	O-Ring	76	15900-076	214586	1	Retaining Ring
28	11010-013	*13944	1	Compression Spring	77	15900-077	*10263	1	Copper Washer
29	15900-029	34377	1	Poppet Retainer	78	15900-078	*13934	1	U-cup & Backup
30	15900-030	*15279	1	O-Ring	79	15900-079	*304295	1	Retainer
31	15900-031	13937	1	Dowel Pin	80	15900-080	*17429	2	Back up Washer
32	15900-032	29037	1	Release Valve Poppet	81	15900-081	*13938	1	Compression Spring
33	15900-033	*14443	1	Steel Ball	82	15900-082	28226	1	Piston
34	15900-034	209736	1	Ball Retainer	83	15900-083	203143	1	Bumper
35	15900-035	*13959	1	Compression Spring	84	15900-084	210994	1	Spring Guide
36	15900-036	11151	4	Cap Screw	85	15900-085	37434	1	Air Cylinder
37	15900-037	37199	1	Intake Air Valve Body	86	15900-086	*12692	1	Compression Spring
38	15900-038	*29992	1	Foam Tube	87	15900-087	*211052	1	O-Ring
39	15900-039	420965BK2	1	Cover Plate	88	15900-088	305475	1	Exhaust Valve Stem
39	15920-039	58688BK2	1	Cover Plate	89	15900-089	*10241	3	Lock washer for #10 Bolt
39	15940-039	58706BK2	1	Cover Plate	90	15900-090	211054	3	Screw
40	15900-040	11089	2	Washer	91	15900-091	33822	1	Piston End Plate
41	15900-041	11435	2	Cap Screw	92	15900-092	*28183	1	Piston Poppet



PARTS BREAKDOWN

Parts List For Air Hydraulic Pump 15900

42	15900-042	58563	1	Release Valve Body	93	15900-093	*205679	1	Compression Spring
43	15900-045	11127	1	Pressure Plug	94	15900-094	*205674	1	Screw
44	-	20937	1	Filler Cap	95	15900-095	51480	1	Rear Head
45	15900-045	*10273	1	O-Ring	96	15900-096	12691	1	Compression Spring
46	15900-046	64767	1	Pump Body	97	15900-097	13936	1	Soc. Hd Cap Screw
47	15900-047	17428	4	UNC x 3-1/2	98	15900-098	28198	1	Seal Guide
51	15900-051	*28182	1	Air Valve Poppet	99	15900-099	*216296	1	Filter Disc
52	15900-052	*251717	1	O-Ring	100	15900-100	*10267	1	O-Ring
53	15900-053	28387	1	Muffler					
54	15900-054	*28239	1	Gasket					
55	15900-055	52390	1	Piston Body					
56	15900-056	*14265	2	Piston Ring					
57	15900-057	*251835	2	O-Ring					