



Operating Instructions for:

15900-15910-15910C

15920-15930-15930C

15940-15950-15950C

**AIR HYDRAULIC PUMP Max. Pressure: Check Data Plate for Max Pressure Workstation Sound
Pressure Level: 83 dB(A) at Rated Capacity**

Definition: An air hydraulic pump delivers hydraulic fluid under pressure through the use of compressed air as a power source.

SAFETY EXPLANATIONS

Two safety symbols are used to identify any action or lack of action that can cause personal injury. Your reading and understanding of these safety symbols are very important



DANGER

-Danger is used only when your action or lack of action will cause serious human injury or death.



WARNING

-Warning is used to describe any action or lack of action where a serious injury can occur.

IMPORTANT –Important is used when action or lack of action can cause equipment failure, either immediate or over a long period of time.



WARNING

It is the operator's responsibility to read and understand the following safety statements,

- Only qualified operators should install, operate, adjust, maintain, clean, repair, or

transport this machinery

- These components are designed for general use in normal environments. These components are not specifically designed for lifting and moving people, agri-food machinery, and certain types of mobile machinery or special work environments such as: explosive, flammable or corrosive. Only the user can decide the suitability of this machinery in these conditions or extreme environments. AME will supply information necessary to help make these decisions.

These instructions are intended for end-user application needs. Most problems with new equipment are caused by improper operation or installation. Detailed service repair instructions or parts list can be obtained from AME.

SAFETY PRECAUTIONS



General Operation

- All WARNING statements must be carefully observed to help prevent personal injury.
- Before operating the pump, all hose connections must be tightened with the proper tools. Do not over tighten. Connections should be only be tightened securely and leak-free. Over tightening can cause premature thread failure or high pressure fittings to split at pressures lower than their rated capacities.

- Should a hydraulic hose ever rupture, burst, or need to be disconnected, immediately shut off the pump and release all pressure. Never attempt to grasp a leaking pressurized hose with your hands. The force of escaping hydraulic fluid could cause serious injury.
- Do not subject the hose to potential hazard such as fire, sharp surfaces, extreme heat or cold, or heavy impact. Do not allow the hose to be altered or kink, twist, curl, crush, cut, or bend so tightly that the fluid flow within the hose is blocked or reduced. Periodically inspect the hose for wear, because any of these conditions can damage the hose and possibly result in personal injury.
- Do not use the hose to move attached equipment. Stress can damage hose and possibly cause personal injury.
- Hose material and coupler seals must be compatible with the hydraulic fluid used. Hoses also must not come in contact with corrosive materials such as creosote-impregnated objects and some paints. Consult the manufacturer before painting a hose. Hose deterioration due to corrosive materials can result in personal injury. Never paint the couplers.
- Inspect machine for wear, damage and correct function before each use. Do not use machinery that is not in proper working order, but repair or replace it as necessary.
- Replace worn or damaged safety decals.
- Modification of a product requires written AME authorization.

Use only components with the same pressure rating when assembling a system or machine. Pump

- Do not exceed the hydraulic pressure rating noted on the pump data plate or tamper with the internal high pressure relief valve. Creating pressure beyond the rated pressure can result in personal injury.
- Before replenishing the fluid level, retract the system to prevent overfilling the pump reservoir. An overfill can cause personal injury due to excess reservoir pressures created when cylinders are retracted. Air

Supply

Shut off and disconnect the air supply when the pump is not in use or before breaking any connections in the system.

PREPARATION & SET-UP

Air Supply Hook-Up

Remove the thread protector from the air inlet of the pump. Select and install the threaded fittings which are compatible with your air supply fittings. The air supply should be 20 CFM (.57 M³/min.) and 100 PSI (7 BAR) at the pump to obtain the rated hydraulic pressure. Air pressure should be regulated to a maximum of 140 PSI (9 BAR). Secure your pump fitting to the air supply. See illustrations on following pages.



WARNING : If improperly used, pressurized equipment can be potentially hazardous. Therefore:

- Hydraulic connections must be securely fastened before building pressure in the system.
- Release all system pressure before loosening any hydraulic connection in the system

Venting the Reservoir

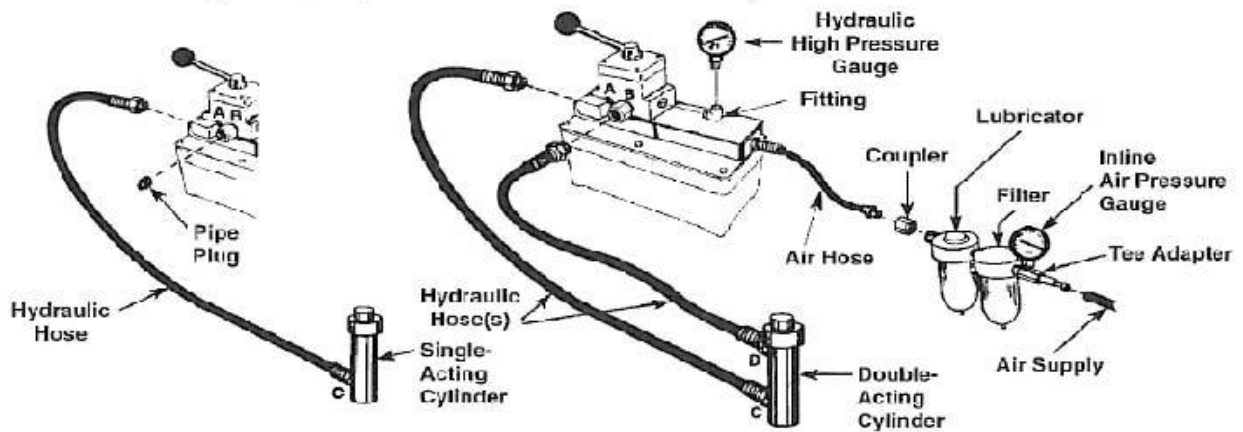
To improve hydraulic fluid delivery and increase useable hydraulic fluid capacity, Remove shipping plug and install filler/vent cap before using the pump.

Operating Instructions

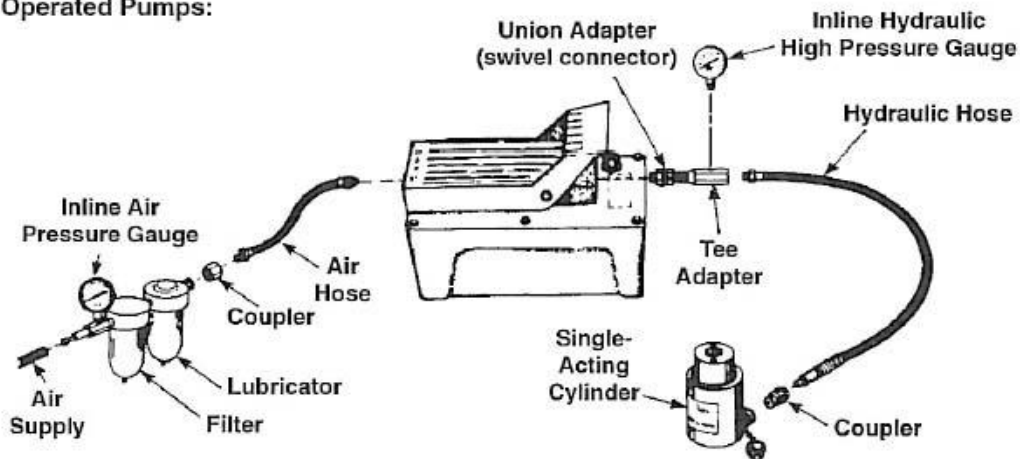
Hydraulic Connections

Clean all the areas around the fluid ports of the pump and cylinder. Inspect all the threads and fittings for signs of wear or damage and replace as needed. Clean all hose ends, couplers and union ends. Remove the thread protectors from the hydraulic fluid outlets. Connect the hose assembly to the hydraulic fluid outlet and couple the hose to the cylinder. See illustrations below. **IMPORTANT:** Seal all external pipe connections with a high-grade, non-hardening thread sealant. Teflon tape may also be used to seal hydraulic connections, provided only one layer of tape is used. Apply the tape carefully, two threads back, to prevent it from being pinched by the coupler and broken off inside the system. Any loose pieces of tape could travel through the system and obstruct the flow of fluid or cause jamming of precision-fit parts.

For Manual Valve Operated Pumps:

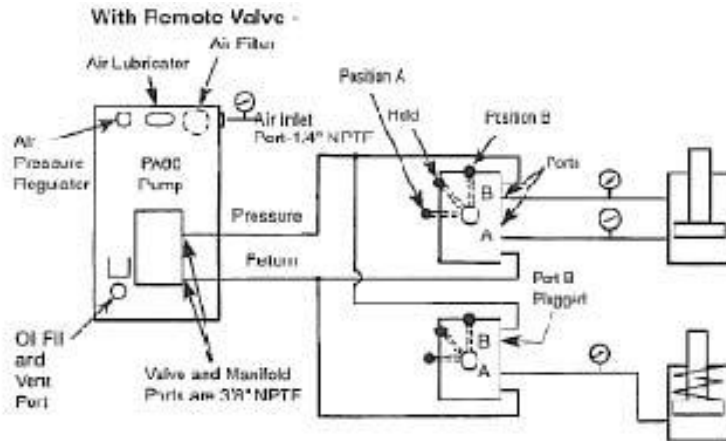
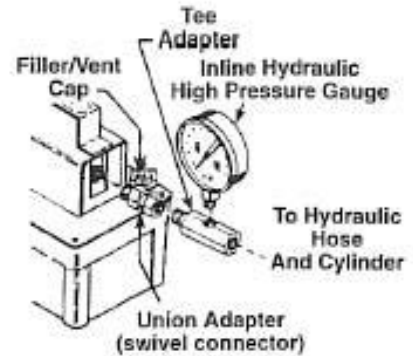
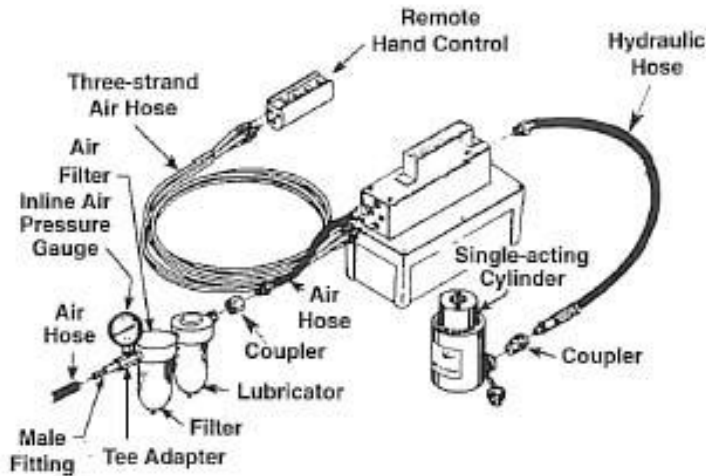


For Hand/Foot Operated Pumps:



This pump is equipped with a two position, 3-way / 4-way control valve for operating single- or double acting hydraulic cylinders and requires attaching the hoses in the following manner: **When using a single-acting cylinder**, attach one end of a hose to port "A" of valve and the end of the hose to the advance port "C" of the cylinder. Then install a pipe plug in valve port "B". If the hoses are frequently connected and disconnected, quick couplers should be used to prevent wear and tear on the fittings. **When using a double-acting cylinder**, attach one hose to port "A" of valve and the other end of the hose to the advance port "C" of cylinder. Attach the second hose to valve port "B" and the other end of the hose to return port "D" of cylinder.

For Remote Controlled Pumps:

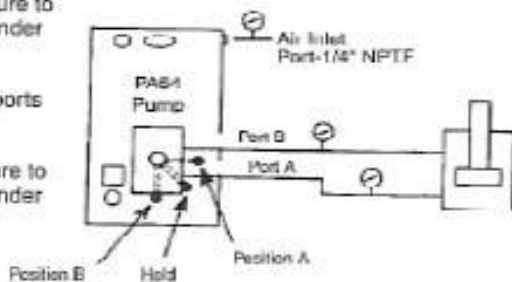


- 1 Connect the pump to a remote 3-way/4way valve
- 2 Connect the fluid line from the pressure port on the manifold to the pump pressure port on the valve.
- 3 Connect the fluid line from the fluid return port on the manifold to the pump return port on the valve.
- 4 Connect the cylinder(s) to the valve.

IMPORTANT: On all single pressure line applications, plug one port on the valve.

With Pump Mounted Valve -

- Position A** - Pressure to cylinder port A, cylinder port B to tank.
- Hold** - Neutral, all ports blocked.
- Position B** - Pressure to cylinder port B, cylinder port A to tank.



- 1 Connect the ports of the pump valve to Cylinder(s). When port "A" is pressurized port "B" becomes the return. When port "B" is pressurized, port "A" becomes the return.
- 2 Place the valve into the "A" or "B" Position in order to pressurize the cylinder(s) or start the pump.

OPERATION PICTOGRAM DEFINITIONS



Activating the pump with the pedal end marked with this pictogram, the flow of fluid is directed out of the reservoir.

Activating the pump with the pedal end marked with this pictogram, the flow of fluid is directed back to the reservoir.

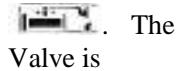
Priming the Pump Unit

Under certain circumstances it may be necessary to prime the pump unit. To accomplish this, perform the following procedure:

For Hand/Foot Operated Pumps:

1. Press the release end of the pedal while holding down the air intake

Valve with a flathead screwdriver. The air intake valve is located directly under the pedal in the area marked



depressed simultaneously with the



area of the pedal during printing.

2. Allow the pump to cycle approximately 15 seconds.

3. Remove the screwdriver, and press

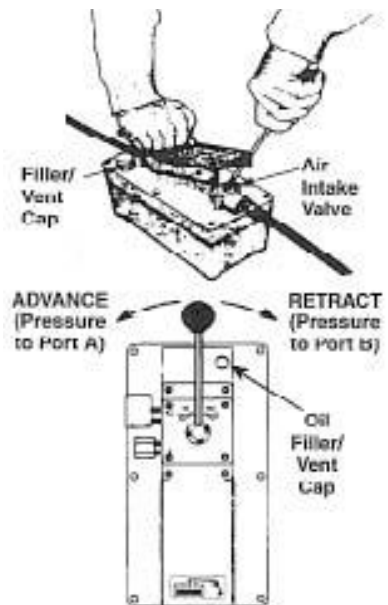


end of the pedal once more.



4. If the cylinder extends or pressure builds, the pump has been successfully primed. If the pump does not respond, repeat the procedure, jogging the air intake valve while holding the pedal in

the



For Manual Valve Operated Pumps:

Disconnect the hose end at the advance port of the cylinder. Direct the hose end into a suitable container or back into the pump reservoir. Shift the valve to the ADVANCE position and depress the end of the foot pedal inscribed with



. Allow the pump to cycle until the fluid begins to flow freely into the container or reservoir. Reconnect the hose end to the cylinder advance port. Shift the valve to the Advance position and reactivate the pump. If the cylinder extends or builds pressure, the pump has been successfully primed. If not refer to the Trouble - Shooting Guide of these instructions.

For Remote Controlled Pumps:

Depress the



AND



buttons on the remote hand control simultaneously and allow the pump to cycle for approximately fifteen seconds. Release both buttons and then depress the



button once more. If the cylinder extends or pressure builds, the pump has been successfully primed. If the pump does not respond repeat the procedure. If the pump still does not respond, tip pump upside down and repeat procedure.

For Tandem Pumps:

1. Connect the fluid line to the pressure port and keep the return port plugged. Place the other end of the fluid line in the pump filler hold.

NOTE: If the fluid lines are connected to a remote valve, shift the valve into the center position and plug both cylinder ports on the valve. This lets fluid circulate through the valve and back to the pump reservoir; thereby allowing the pump to prime.

2. Attach air line with shut-off valve to the pump.
3. Open the air valve, Pump will begin to reciprocate, and fluid will advance through the hose or fluid line and return to the pump reservoir. Allow the pump to cycle approximately 15 seconds.
4. Plug the manifold pressure port, or shift the valve to pressurize the circuit. if the pump builds pressure, it has been successfully primed.

Pump Operation

For Hand/Foot Operated Pumps:

1. To extend the cylinder, depress the pedal on the end marked
- cylinder in position, release the end of foot pedal marked with



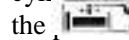
For Remote Controlled Pumps:

1. To extend the cylinder, depress the button on the remote hand control marked
2. To hold the cylinder in position, release the
3. To retract the cylinder, depress the button on the remote hand control marked



to deactivate the pump.

3. To retract the cylinder, depress the



the end marked



For Manual Valve Operated Pumps:

1. To extend the cylinder, shift the valve handle to the advance position and depress the end of the foot pedal inscribed with



to activate the pump.

2. To hold the cylinder in position, release the end of foot pedal inscribed with



to deactivate the pump.

3. To retract the cylinder, shift the valve handle to the retract position and depress the end of the foot pedal inscribed with



to activate the pump.

For Pumps with Air Regulators:

1. Open the air shut-off valve (if so equipped) or connect the air quick coupler (if so equipped).

NOTE: under certain circumstances the pump may need to be primed before operation. Refer to the method described in the section entitled "Priming the Pump Unit."

1 Slowly turn the air regulator control on unit clockwise to increase pressure, counterclockwise to decrease pressure. As air is admitted to the pump unit, it will begin to deliver fluid to the system. Continue to slowly turn the air regulator control clockwise until the gauge reads the maximum hydraulic pressure rating as stated on the pumps data plate. A maximum hydraulic pressure reading should be obtained if air pressure is approximately 100 PSI (7 BAR).

2 Cycle the system several times by manually shifting the 3-way/4-way valve (if so equipped) or the remote valve (if so equipped). Set the air regulator to obtain the desired hydraulic pressure. When decreasing pressure, shift the valve after each adjustment before measuring actual hydraulic pressure.

3 Shut off and disconnect air supply to the pump and shift pump valve (if so equipped) or remote valve (if so equipped) two times to release all system pressure. Check fluid level with hydraulic system retracted. The pump is now ready for operation.

NOTE: □ **The Hydraulic pressure is increased or decreased by adjusting the air inlet pressure at the regulator.**

□ On two stage pumps, the air pressure regulator that is mounted on the pump controls only the output from the high pressure stage. The output of the low pressure stage of the pump is determined by the air line pressure coming from the remote regulator. A remote regulator is required to control the air pressure from the air line. The independent functioning of the low and high pressure stages of this pump can best be described as follows. At the minimum air line pressure of 40 PSI (3 BAR), the low pressure stage of the pump will deliver 480 PSI (33 BAR) hydraulic pressure (with the pump regulator turned counterclockwise to prevent air pressure from activating the high pressure stage of the pump.) At the minimum air line pressure (with the pump regulator turned clockwise to allow air pressure to reach the high pressure stage.) Always remember that the pump regulator must be turned fully counterclockwise when the pump is used to produce 1,200 PSI (83 BAR) or less.

Refilling the Reservoir

If the additional fluid must be added to the reservoir, use only approved hydraulic fluid (215 SSU @ 100⁰ F [38⁰ C]). Clean the entire area around the filler plug before adding fluid to the reservoir. Remove the filler plug, and insert a clean funnel with filter. The cylinder must be fully retracted and the air supply disconnected when adding the fluid to the reservoir.

Periodic Cleaning IMPORTANT: The greatest single cause of failure in hydraulic pumps is dirt. Keep the pump and attached equipment clean to prevent foreign matter from entering the system.

A routine should be established to keep the pump as free from dirt as possible. All unused couplers must be sealed with thread protectors. All hose connections must be free of grit and grime. Any equipment hooked up to the pump should also be kept clean. Use only approved hydraulic fluid in this unit and change as recommended (every 300 hours).

ACCESSORIES

Gauges and accessories may not be included with the pump. However, a hydraulic gauge is strongly recommended whenever the pump is used.



WARNING

- The Gauge must be of the proper rating for pressure used!
- Use only approved accessories, hydraulic fluid, and repair parts!

Installing an In-line Air Pressure Gauge

1. Remove the male fitting from the air filter and install a tee adapter, with gauge, between the hose and air filter.
2. Install male fitting into the tee adapter and securely clamp the hose to the male fitting.

Installing an In-line Hydraulic Pressure Gauge

1. Remove the thread protector from the hydraulic outlet port and inspect the threads and fittings for signs of wear.
2. Install a tee adapter, with gauge, between the hose coupling and the pump hydraulic outlet port.
3. Tighten all connections securely! DO NOT OVERTIGHTEN HOSE CONNECTIONS.

Fire-Resistant Hydraulic Fluid

Flame Out 200TM fire-resistant hydraulic fluid is compatible with all AME hydraulic equipment. The use of this fluid does not require the changing of seals in any AME pump or cylinder and is available through your local Hydraulic Fluid Distributor.

Operating Instructions

PREVENTIVE MAINTENANCE

IMPORTANT: Any repair or servicing that requires dismantling the pump must be performed on a dirt-free environment by qualified technician.
 Dispose of machine and fluids properly.

Lubrication For Hand/Foot, Manual Valve, and Remote Control Operated Pumps:

If the pump is operated on a continuous duty cycle for extended periods, the manufacturer recommends installing an automatic air line oiler in the air inlet line as close to the pumping unit as possible. Set the unit to feed approximately one drop of oil per minute into the system. Use SAE grade oil, 5W to 30W.

For Tandem Pumps:

These models have an integral air pressure regulator, air filter and lubricator. Set the lubricator to feed one drop of oil per minute to the system. Use SAE grade oil, 5W to 30W. For serving the air regulator, lubricator and filter system see the operating and service instructions provided.

Bleeding Air from the System

During the first moments of operation or after prolonged use, a significant amount of air may accumulate within the hydraulic system. This entrapped air may cause the cylinder to respond slowly or behave in an unstable manner. To remove the air, run the system through several cycles (extending and retracting the cylinder) free of any load. The cylinder must be at lower level than the pump to allow air to be released through the pump reservoir.

Inspecting the Hydraulic Fluid Level

Check the fluid level in the reservoir after every 10 hrs of use. Drain and replenish the reservoir with Approved hydraulic fluid after every 300 hours of use approximately.

For Pumps with 105 cubic Inch (1.7 l) reservoir capacity:

The fluid level should be $\frac{1}{2}$ inch (12.7 mm) from the filler/vent cap with all cylinders retracted

For pumps with a 2 gallon (7.6 l) reservoir capacity:

The fluid level should $1\frac{3}{4}$ inch (44.5 mm) from the filler/vent cap with all cylinders retracted.

Draining and Flushing the Reservoir IMPORTANT: Wipe the pump exterior completely clean before attempting this procedure!

- 1 Remove the screws that fasten the pump assembly to the reservoir. Remove the pump assembly from the reservoir. Do not damage the gasket, filler or safety valve.
- 2 Drain the reservoir of all fluid and refill half full with clean hydraulic fluid. Rinse the filter clean.
- 3 Place the pump assembly back onto the reservoir, and secure with two of the machine screws assembled in opposite corners of the housing.
- 4 Run the unit for several minutes. Use the same method described in the section titled ‘Priming the Pump Unit.’
- 5 Drain and clean the reservoir once more.
- 6 Refill the reservoir with Approved hydraulic fluid and replace the pump assembly (with gasket) on the reservoir pounds (2.8 to 3.4 N□m); for 2 gallon (7.6 l) reservoirs, torque to 35 to 45 inch pounds (4.0 to 5.0 N□m)

IMPORTANT: Drain and clean the other hydraulic system components (hoses, cylinders, etc.) before reconnecting them to the pump. This will prevent contaminated fluid from entering the pump again.

OPERATOR TROUBLESHOOTING GUIDE If this guide does not resolve your pump problem, Contact an authorized hydraulic service center or a company headquarters listed on back sheet 5 of 5.

PROBLEMS CAUSE SOLUTION

Pump reciprocates but no fluid fluid delivery (cylinder will not extend)	<ol style="list-style-type: none"> 1. Low Fluid Level 2. Pump not primed. 3. Fluid intake filter contaminated 	<ol style="list-style-type: none"> 1. Add fluid as instructed in Preventive Maintenance Section. 2. Prime pump as instructed in Operation Section. 3. Remove reservoir and clean intake and reinstall.
Pump reciprocates but no fluid fluid delivery (cylinder will not extend)	<ol style="list-style-type: none"> 1. Low Fluid Level 2. Pump not primed. 3. Fluid intake filter contaminated 	<ol style="list-style-type: none"> 1. Add fluid as instructed in Preventive Maintenance Section. 2. Prime pump as instructed in Operation Section. 3. Remove reservoir and clean intake and reinstall.
Low fluid delivery (cylinder extends slowly)	<ol style="list-style-type: none"> 1. Inadequate air supply <ol style="list-style-type: none"> a. Check air input supply. b. Contamination, check air side of pump (plugged air inlet screen.) 	<ol style="list-style-type: none"> 1. a. Should be 20 CFM (.57 M³/min.) Minimum. b. Clean and reassemble.
Pump reciprocates but no fluid fluid delivery (cylinder will not extend)	<ol style="list-style-type: none"> 1. Low Fluid Level 2. Pump not primed. 	<ol style="list-style-type: none"> 1. Add fluid as instructed in Preventive Maintenance Section. 2. Prime pump as instructed in Operation Section.
Pump reciprocates but no fluid fluid delivery (cylinder will not extend)	<ol style="list-style-type: none"> 1. Low Fluid Level 2. Pump not primed. 	<ol style="list-style-type: none"> 1. Add fluid as instructed in Preventive Maintenance Section. 2. Prime pump as instructed in Operation Section.
Pump reciprocates but no fluid fluid delivery (cylinder will not extend)	<ol style="list-style-type: none"> 1. Low Fluid Level 2. Pump not primed. 	<ol style="list-style-type: none"> 1. Add fluid as instructed in Preventive Maintenance Section. 2. Prime pump as instructed in Operation Section.

Excess of oil spray from muffler 1. Air lubricator is set too rich (if so 1. Set at one drop per minute. equipped).