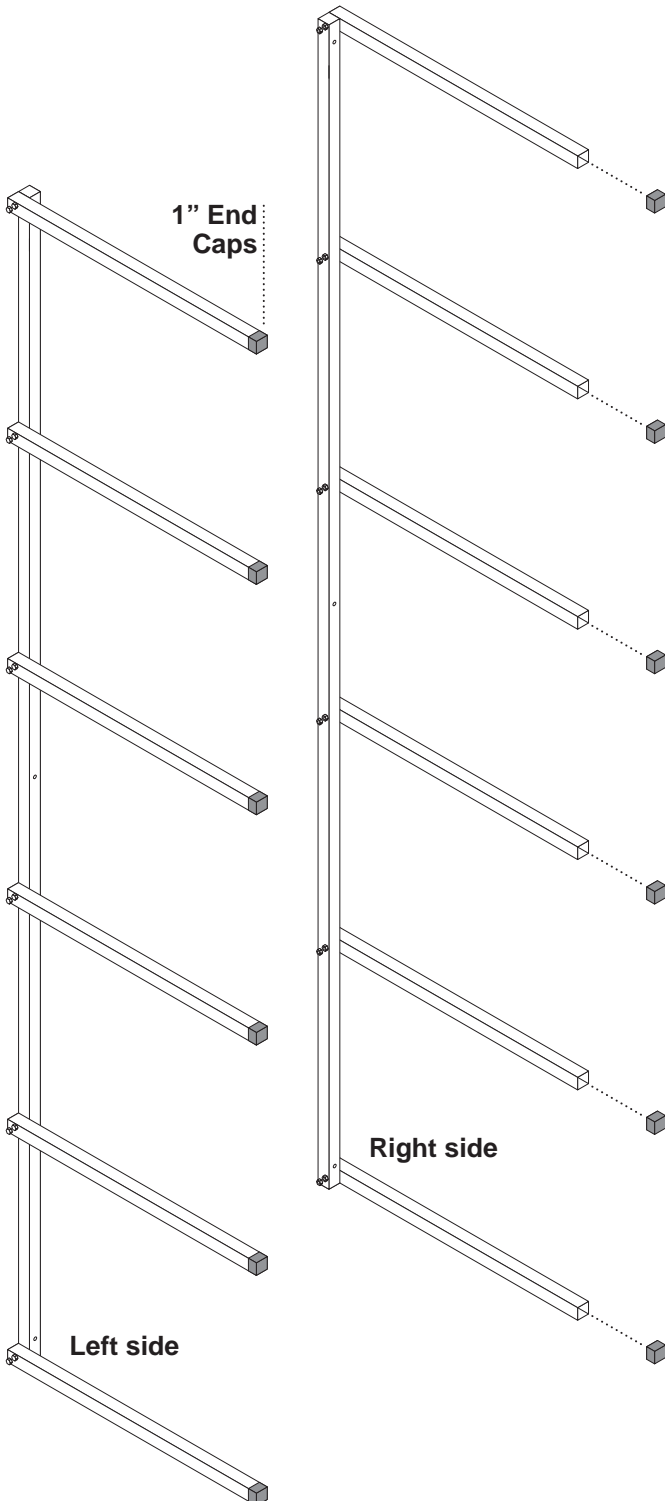




BUMPER RACK/STEEL

Part #77784

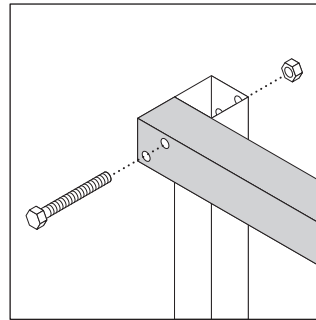
The Keysco Tools Bumper Rack is designed to be mounted vertically on a wall and hold up to 6 bumpers.



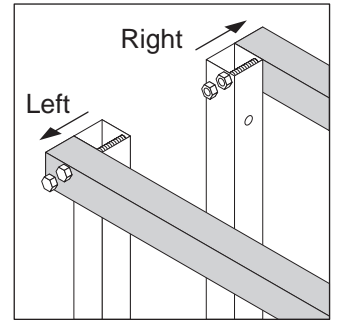
PARTS LIST

PART#	DESCRIPTION	QUANTITY
11537	Horizontal Post	12
10766	1/4-20 x 2-1/2 Bolt	24
11536	Vertical Post	2
10201	1/4 x 20 Hex Nut	24
11381	1" End Caps	12

CLOSER LOOK



Attach horizontal posts with the supplied nuts and bolts.



Horizontal posts are to be attached to the **outsides** of the vertical posts.

IMPORTANT!

Mount vertical posts to a wall stud or other sturdy framing structure using appropriate hardware (not included).

Use all three supplied holes in each of the vertical posts for optimal security.

