

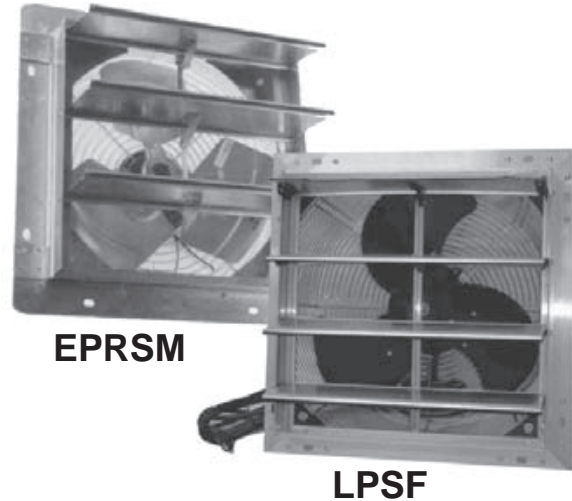
Direct Drive Fans - Low Pressure Shutter Fan



Model EPRSM & LPSF

Features/Specifications:

- 1 Year Warranty
- Fully assembled - ready to install
- Totally enclosed motor
- 115V
- EPRSM7 and EPRSM30 Models are UL Listed; LPSF Models are CUL Listed



Performance:

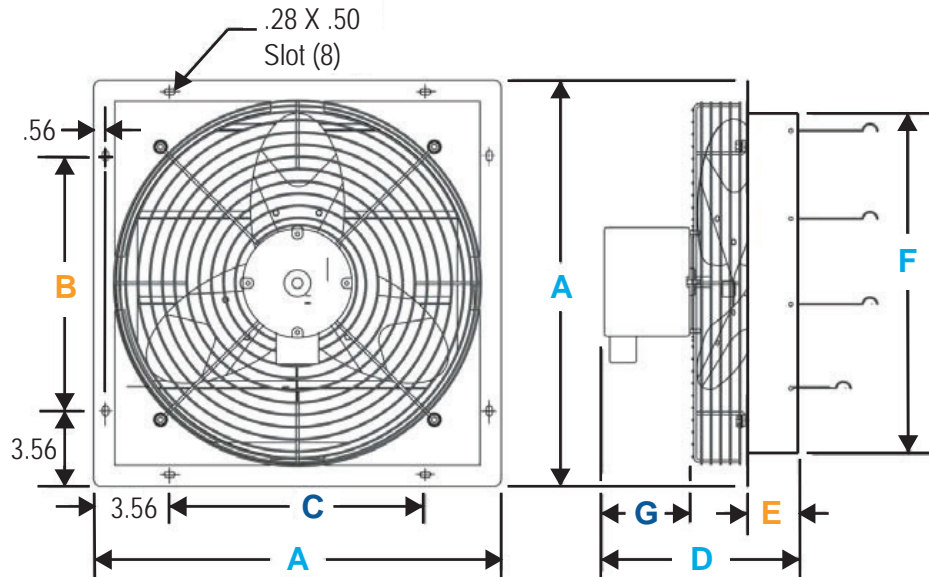
LPSF Model

EDP #	Catalog No.	Prop Dia.	Panel Size	Wall Opening	0" S.P. CFM	1/8" S.P. CFM	Motor HP	F.L. Amp	Max. Sones @ 5'	Ship Wt.
23011	LPSF10	10"	13-1/8"	10-1/2"	611	318	1/30	.60	6.6	10
23015	LPSF12	12"	15-1/8"	13"	815	490	1/30	1.26	7.6	12
23012	LPSF16	16"	19-1/8"	17"	1216	765	1/20	1.37	8.0	20
23013	LPSF18	18"	21-1/8"	18-1/2"	1877	752	1/15	1.27	8.4	25
23016	LPSF20	20"	23-1/8"	20-1/2"	2235	920	1/15	1.36	9.0	29
23014	LPSF24	24"	27-1/8"	25"	3214	2015	1/4	2.39	11.7	48

EPRSM Model

EDP #	Catalog No.	Prop Dia.	Panel Size	Wall Opening	0" S.P. CFM	1/8" S.P. CFM	Motor HP	F.L. Amp	Max. Sones @ 5'	Ship Wt.
23000	EPRSM7	7"	11-1/8"	8-1/2"	121	60	1/30	1.2	4.8	10
23001	EPRSM10	10"	13-1/8"	10-1/2"	611	318	1/30	1.2	6.6	10
23002	EPRSM12	12"	15-1/8"	13"	815	490	1/30	1.2	7.6	12
23003	EPRSM16	16"	19-1/8"	17"	1216	765	1/20	1.9	8.0	20
23004	EPRSM18	18"	21-1/8"	18-1/2"	1877	752	1/15	1.3	8.4	25
23007	EPRSM20	20"	23-1/8"	20-1/2"	2235	920	1/15	2.6	9.0	29
23005	EPRSM24	24"	27-1/8"	25"	3214	2015	1/4	3.5	11.7	48
23008	EPRSM30	30"	33-1/8"	30-1/2"	4970	3510	1/4	3.5	12.0	54

Fan Component:

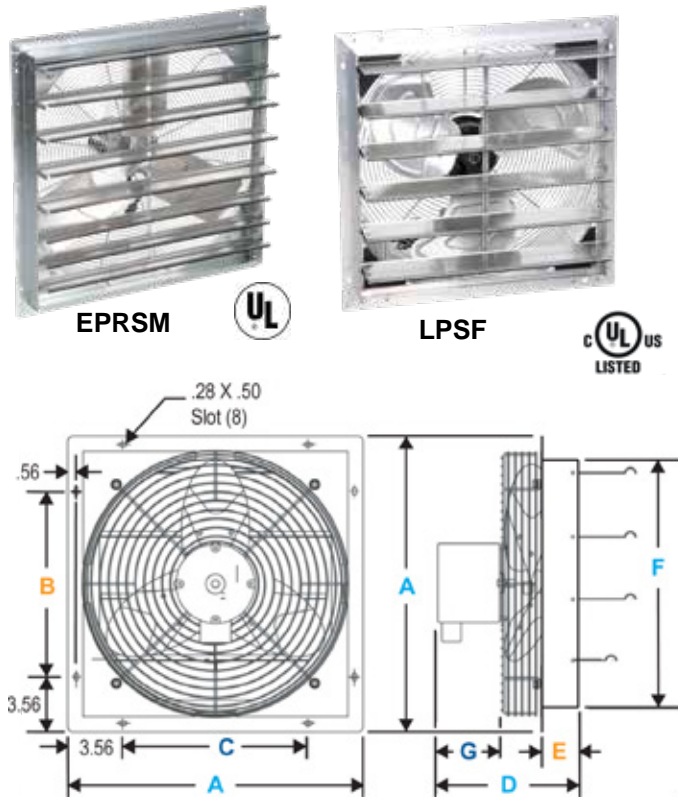


Model	A	B	C	D	E	F	G
LPSF10	13.13	6	6	8.06	2.38	10	3.00
LPSF12	15.13	8	8	8.06	2.38	12	3.00
LPSF16	19.13	12	12	9.06	2.38	16	4.00
LPSF18	21.13	14	14	11.00	2.50	18	4.75
LPSF20	23.13	16	16	11.00	2.50	20	4.75
LPSF24	27.13	20	20	12.65	3.00	24	5.00
EPRSM7	11.13	4	4	8.06	2.38	8	3.00
EPRSM10	13.13	6	6	8.06	2.38	10	3.00
EPRSM12	15.13	8	8	8.06	2.38	12	3.00
EPRSM16	19.13	12	12	9.06	2.38	16	4.00
EPRSM18	21.13	14	14	11.00	2.50	18	4.75
EPRSM20	23.13	16	16	11.00	2.50	20	4.75
EPRSM24	27.13	20	20	12.65	3.00	24	5.00
EPRSM30	33.13	26	26	12.65	3.00	30	5.00

Direct Drive Fans

Low Pressure Shutter Fan

LPSF & EPRSM Models



1 Year Warranty

Features

- EPRSM 7 and EPRSM30 Models are UL Listed, LPSF Models are CUL Listed
- All LPSF Models are 2-Speed with Pull Chain, Plug and Cord Included
- All EPRSM Models are hard wired **except:**
23007 (2-Speed with Pull Chain, Plug and Cord Included)
23005 & 23008 (3-Speed with Pull Chain, Plug, and Cord Included)
- Rear Guard Meets OSHA Standards
- Fully Assembled - Ready to Install
- Totally Enclosed Motor

Dimensions

Model	A	B	C	D	E	F	G
EPRSM7	11.13	4	4	8.06	2.38	8	3.00
EPRSM10	13.13	6	6	8.06	2.38	10	3.00
EPRSM12	15.13	8	8	8.06	2.38	12	3.00
EPRSM16	19.13	12	12	9.06	2.38	16	4.00
EPRSM18	21.13	14	14	11.00	2.50	18	4.75
EPRSM20	23.13	16	16	11.00	2.50	20	4.75
EPRSM24	27.13	20	20	12.65	3.00	24	5.00
EPRSM30	33.13	26	26	12.65	3.00	30	5.00
LPSF10	13.13	20	6	8.06	2.38	10	3.00
LPSF12	15.13	8	8	8.06	2.38	12	3.00
LPSF16	19.13	12	12	9.06	2.38	16	4.00
LPSF18	21.13	14	14	11.00	2.50	20	4.75
LPSF20	23.13	20	20	12.65	3.00	24	5.00
LPSF24	27.13	20	20	12.65	3.00	24	5.00

LPSF

EDP No.	Catalog No.	Prop Dia.	Panel Size (Square)	Wall Opening (Square)	0" S.P. CFM	1/8" S.P. CFM	Watts	Volt	F.L. Amp	Max. Sones @ 5'	Ship Wt.
23011	LPSF10	10"	13 1/8"	11"	496	206	56	115	0.60	6.6	10
23015	LPSF12	12"	15 1/8"	12 1/2"	956	856	138	115	1.26	7.6	12
23012	LPSF16	16"	19 1/8"	16 1/2"	1502	1151	142	115	1.37	8.0	20
23013	LPSF18	18"	21 1/8"	19"	1716	1160	145	115	1.27	8.4	25
23016	LPSF20	20"	23 1/8"	20 1/2"	1867	1168	150	115	1.36	9.0	29
23014	LPSF24	24"	27 1/8"	24 1/2"	2708	1678	260	115	2.39	11.7	48

EPRSM

EDP No.	Catalog No.	Prop Dia.	Panel Size (Square)	Wall Opening (Square)	0" S.P. CFM	1/8" S.P. CFM	Motor HP	Volt	F.L. Amp	Max. Sones @ 5'	Ship Wt.
23000	EPRSM7	7"	11 1/8"	8 1/2"	121	60	1/24	115	1.4	4.8	10
23001	EPRSM10	10"	13 1/8"	10 1/2"	611	318	1/24	115	1.4	6.6	10
23002	EPRSM12	12"	15 1/8"	13"	815	490	1/24	115	1.4	7.6	12
23003	EPRSM16	16"	19 1/8"	17"	1216	765	1/20	115	1.9	8.0	20
23004	EPRSM18	18"	21 1/8"	18 1/2"	1877	752	1/15	115	1.3	8.4	25
23007*	EPRSM20	20"	23 1/8"	20 1/2"	2235	920	1/15	115	1.4	9.0	29
23005**	EPRSM24	24"	27 1/8"	25"	3214	2015	1/4	120	3.5	11.7	48
23008**	EPRSM30	30"	33 1/8"	30 1/2"	4970	3510	1/4	120	3.5	12.0	54