

## IMPORTANT! Read carefully before operating this tool.

Failure to operate any power tool properly can result in personal injury and/or property damage!



### 7.2.2.3 GENERAL SAFETY RULES

- Multiple hazards. Read and understand the safety instructions before installing, operating, repairing, maintaining, changing accessories on, or working near the power tool. Failure to do so can result in serious bodily injury.
- Only qualified and trained operators should install, adjust or use the power tool.
- Do not modify this power tool. Modifications may reduce the effectiveness of safety measures and increase the risks to the operator.
- Do not discard the safety instructions – give them to the operator.
- Do not use a tool if the tool has been damaged.
- Warnings shall be given against the risk of explosion or fire due to the material being processed.
- Warnings shall be given against the risk of cutting.



### 7.2.2.4 PROJECTILE HAZARDS

- Failure of the work piece, of accessories, or even of the tool itself may generate high velocity projectiles.
- Always wear impact-resistant eye protection during operation of the tool. The grade of protection required should be assessed for each use.



### 7.2.2.5 ENTANGLEMENT HAZARDS

- Entanglement hazard – choking, scalping and/or lacerations can occur if neck ware, hair or gloves are not kept away from tool and accessories.

### 7.2.2.6 OPERATING HAZARDS

- Use of the tool may expose the operator's hands to hazards including crushing, impacts, cuts and abrasions and heat. Wear suitable gloves to protect hands.
- Operators and maintenance personnel must be physically able to handle the bulk, weight and power of the tool.
- Hold the tool correctly: be ready to counteract normal or sudden movements – have both hands available.
- Maintain a balanced body position and secure footing.
- Keep hands away from rotating or reciprocation accessories, spindles or other moving parts.
- Release the start and stop device in the case of an interruption of the energy supply
- Use only lubricants recommended by the manufacturer.



### 7.2.2.7 REPETITIVE MOTIONS HAZARDS

- When using a power tool, you may experience discomfort in your hands, arms, shoulders, neck, or other parts of your body.
- While using a power tool, position your body in a comfortable posture. Maintain secure footing and avoid awkward or off-balanced postures. Changing your posture during extended tasks may help avoid discomfort and fatigue.
- If you experience symptoms such as persistent or recurring discomfort, pain, throbbing, aching, tingling, numbness, burning sensation, or stiffness, do not ignore these warning signs. Promptly tell your employer and consult a qualified health professional.

### 7.2.2.8 ACCESSORY HAZARDS

- Only use sizes and types of accessories and consumables that are recommended by the power tool manufacturer.



### 7.2.2.9 WORKPLACE HAZARDS

- Slips, trips and falls are major causes of workplace injury. Be aware of slippery surfaces caused by use of the tool and also of trip hazards caused by the air line or hydraulic hose.
- Proceed with care in unfamiliar surroundings. Hidden hazards may exist, such as electricity or other utility lines.
- This power tool is not intended for use in potentially explosive atmospheres and is not insulated from coming into contact with electric power.
- Make sure there are no electrical cables, gas pipes etc. that could cause a hazard if damaged by use of the tool.



### 7.2.2.10 DUST AND FUME HAZARDS

- Dust from some work processes can cause cancer, birth defects or other respiratory diseases. Risk assessment of these hazards and implementation of appropriate controls is essential.

- If the pneumatic tool is used in a dust filled environment exhaust air can cause a dust hazard.
- Dusts and fumes generated when using power tools can cause ill health (for example: cancer, birth defects, asthma and/or dermatitis); risk assessment of these hazards and implementation of appropriate controls of is essential.
- Risk assessment should include dust created by the use of the tool and the potential for disturbing existing dust.
- Operate and maintain the power tool as recommended in these instructions, to minimize dust or fume emissions
- Direct the exhaust so as to minimized disturbance of dust in a dust filled environment
- Where dusts or fumes are created, the priority shall be to control them at the point of emission.
- All integral features or accessories for the collection, extraction or suppression of airborne dust or fumes should be correctly used and maintained in accordance with the manufacturer's instructions.
- Select, maintain and replace the consumable/inserted tool as recommended in these instructions, to prevent an unnecessary increase in dust or fumes.
- Use respiratory protection as instructed by your employer or as required by occupational health and safety regulations;



### 7.2.2.11 NOISE HAZARDS

- Unprotected exposure to high noise levels can cause permanent, disabling, hearing loss and other problems such as tinnitus (ringing, buzzing, whistling or humming in the ears).
- Risk assessment of these hazards and implementation of appropriate controls of is essential.
- Appropriate controls to reduce the risk may include actions such as damping materials to prevent work pieces from 'ringing'
- Use hearing protection as instructed by your employer or as required by occupational health and safety regulations;
- Operate and maintain the power tool as recommended in these instructions, to prevent an unnecessary increase in noise levels;
- Select, maintain and replace the consumable/inserted tool as recommended in these instructions, to prevent an unnecessary increase in noise.




### 7.2.2.12 VIBRATION HAZARDS

- Exposure to vibration can cause disabling damage to the nerves and blood supply of the hands and arms;
- Wear warm clothing when working in cold conditions and keep your hands warm and dry.
- If you experience numbness, tingling, pain or whitening of the skin in your fingers or hands, stop using the power tool, and tell your employer. You should also seek medical advice from a qualified occupational health professional.
- Operate and maintain the power tool as recommended in these instructions, to prevent an unnecessary increase in vibration;
- Select, maintain and replace the consumable/inserted tool as recommended in these instructions, to prevent an unnecessary increase in vibration levels;
- Support the weight of the tool in a stand, tensioner or balancer, because the operator can then use a lighter grip to support the tool.
- Hold the tool with a light but safe grip taking account of the required hand reaction forces, because the risk from vibration is generally greater when the grip force is higher.

### 7.2.3 ADDITIONAL SAFETY INSTRUCTIONS FOR PNEUMATIC POWER TOOLS - AIR SUPPLY & CONNECTION HAZARDS

- Air under pressure can cause severe injury.
- Never direct air at yourself or anyone else.
- Whipping hoses can cause severe injury. Always check for damaged or loose hoses and fittings.
- Whenever universal twist couplings (claw couplings) are used, lock pins must be installed.
- Do not exceed the maximum air pressure stated on the tool.
- Use whip check safety cables to safeguard against possible hose to tool and hose to hose connection failure.
- Never carry an air tool by the hose.

# Important Warnings - Sanders & Polishers

- 
1. Eye protection, safety gloves and safety aprons must always be worn when operating a sander or polisher.
  2. Never adjust the sander or polisher or change the backing pad, sanding disc, sanding belt or polishing bonnet unless the air supply and air hose is disconnected from the tool
  3. Only use backing pads and polishing backing pads that have a rated speed then same as the sander or polisher or higher.
  4. Never attempt to modify or adapt a sander or polisher for use with a grinding wheel or cut-off wheel or wire brush.
  5. Only personnel trained in the correct methods to change pads, sanding discs, sanding belts and polishing bonnets should conduct these operations.



**WARNING:** This product contains lead, a chemical known to the State of California to cause cancer and birth defects or other reproductive harm. **Wash hands after handling**

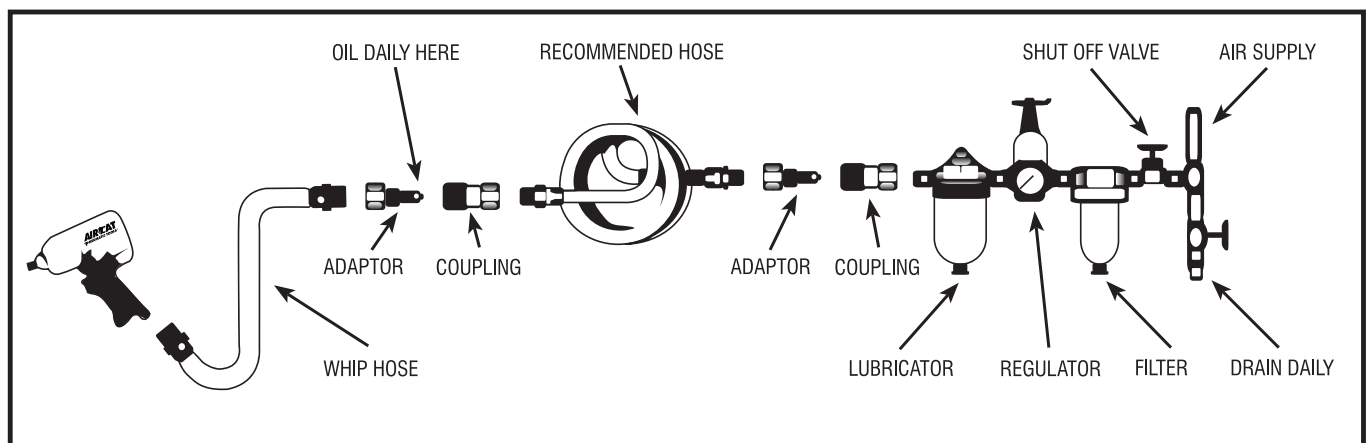


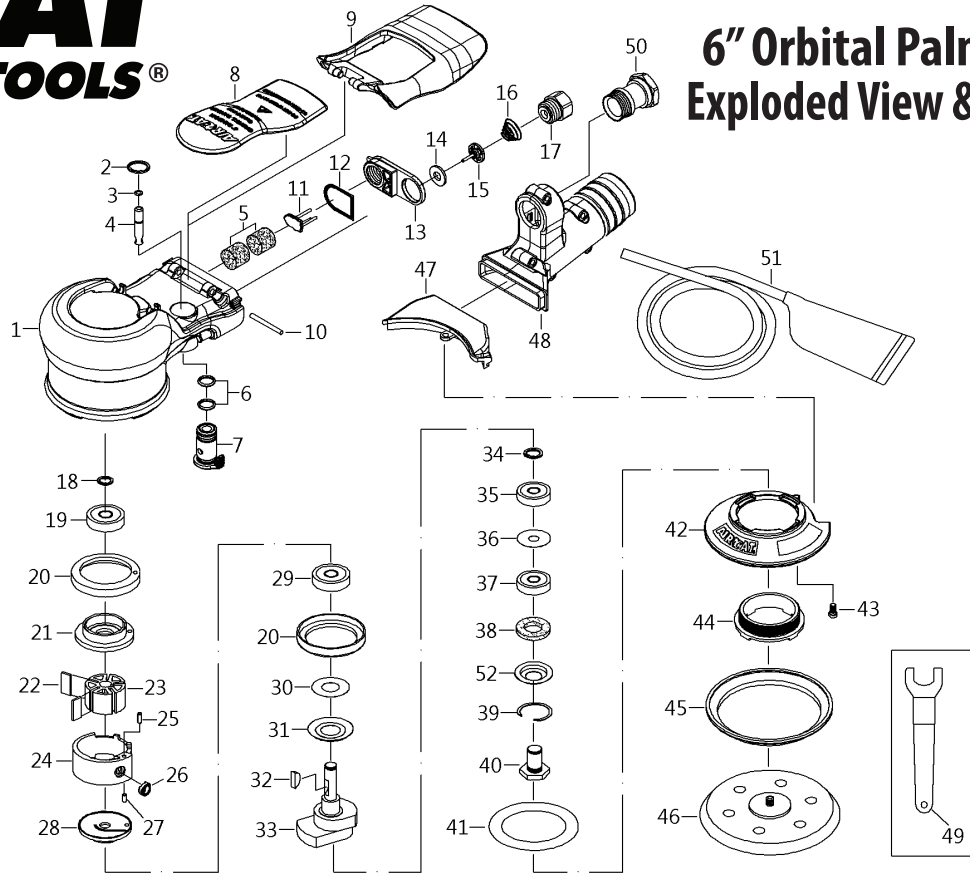
**WARNING:** This product contains chemicals known to the State of California to cause cancer and birth defects or other reproductive harm. **Wash hands after handling.**

| Model No.    | Pad Size (in) | Orbit (in) | Pad Type    | No. Vacuum Pad Holes | Free Speed (RPM) | Weight (lbs) | Length w/ Pad Fitted (in) | Width w/ Pad Fitted (in) | Height w/ Pad Fitted (in) | Noise Level d(B)A | Vibration m/sec <sup>2</sup> | Average Air (CFM) | Air Inlet (in.) NPT/ BSP |
|--------------|---------------|------------|-------------|----------------------|------------------|--------------|---------------------------|--------------------------|---------------------------|-------------------|------------------------------|-------------------|--------------------------|
| 6700-6-332SV | 6             | 3/32       | Hook & Loop | 6                    | 11,000           | 2.0          | 8.1                       | 6.0                      | 4.3                       | 75                | 0.8                          | 1.6               | 1/4                      |

## Air Supply

Tools of this class operate on a wide range of air pressure. It is recommended that air pressure of these tools measures 90 PSI at the tool while running free. Higher pressure and unclean air will shorten the tool's life because of faster wear and may create a hazardous condition and void the warranty. Water in the air line will cause damage to the tool. Drain the air tank daily. Clean the air inlet filter screen on at least a weekly schedule. The recommended hookup procedure can be viewed in the illustration below. The air inlet, used for connecting air supply, has standard 1/4" NPT /BSP Thread. Line pressure should be increased to compensate for unusually long air hoses (over 25 feet). Minimum hose diameter should be 3/8" I.D. and fittings should have the same inside dimensions.





| Ref # | Part Number | Description          | Qty |
|-------|-------------|----------------------|-----|
| 01    | 90B10601    | HOUSING              | 1   |
| 02    | 90B-03      | SNAP RING            | 1   |
| 03    | 90B-04      | O-RING               | 1   |
| 04    | 90B10604    | VALVE STEM           | 1   |
| 05    | 9SX-11      | SILENCER             | 2   |
| 06    | 90B-02      | O-RING               | 2   |
| 07    | 9ST-OB10607 | REGULATOR            | 1   |
| 08    | 90B10608    | LEVER                | 1   |
| 09    | 90B10609    | HOUSING COVER        | 1   |
| 10    | 90B10610    | SPRING PIN           | 1   |
| 11    | 90B10611    | MUFFLER              | 1   |
| 12    | 90B10612    | PACKING              | 1   |
| 13    | 90B10613    | EXHAUST SLEEVE       | 1   |
| 14    | 90B-06      | WASHER               | 1   |
| 15    | 9STOB-08    | VALVE                | 1   |
| 16    | 90B-09-1    | SPRING               | 1   |
| 17    | 90B10617    | AIR INLET (NPT)(USA) | 1   |
| 17    | 90B10617-1  | AIR INLET (BSP)(UK)  | 1   |
| 18    | 970410      | SNAP RING            | 1   |
| 19    | 970048A     | BEARING              | 1   |
| 20    | 90B-16.2    | RUBBER BUSHING       | 2   |
| 21    | 9STOB-19    | REAR PLATE           | 1   |
| 22    | 90B-20-2    | ROTOR BLADE          | 5   |
| 23    | 9STOB-21    | ROTOR                | 1   |
| 24    | 9ST246021A  | CYLINDER             | 1   |
| 25    | 9ST246014   | PIN                  | 1   |
| 26    | 9ST241624   | BUSHING              | 1   |

| Ref # | Part Number       | Description                      | Qty. |
|-------|-------------------|----------------------------------|------|
| 27    | 981326            | PIN                              | 1    |
| 28    | 9STOB-25          | FRONT PLATE                      | 1    |
| 29    | 90B-26A           | BEARING                          | 1    |
| 30    | 90B-28            | WASHER                           | 1    |
| 31    | 9E-29             | WASHER                           | 1    |
| 32    | 9ST70407          | ROTOR KEY                        | 1    |
| 33    | 9ST25-100-6       | MOTOR SHAFT BALANCER (6", 3/32") | 1    |
| 34    | 90B-30            | SNAP RING                        | 1    |
| 35    | 90B-31.3          | BEARING                          | 1    |
| 36    | 90B-23.2A         | SHIM                             | 1    |
| 37    | 90B-31.4          | BEARING                          | 1    |
| 38    | 9RS0132A          | DUSTPROOF WASHER                 | 1    |
| 39    | 90B-33            | SNAP RING                        | 1    |
| 40    | 9S560-34          | SHAFT                            | 1    |
| 41    | 90B-16.1          | WASHER                           | 1    |
| 42    | 90B10642-1        | HOUSING COVER                    | 1    |
| 43    | 90B10643          | SCREW                            | 1    |
| 44    | 90B10644          | LOCK NUT                         | 1    |
| 45    | 90B10645          | SHROUD                           | 1    |
| 46    | 938-6V6Y          | PAD HOOK-UP (USA)                | 1    |
| 46    | 938-6V15Y         | PAD HOOK-UP (UK)                 | 1    |
| 47    | 90B10647          | DUST HOSE                        | 1    |
| 48    | 9ST-OB10648S      | VACUUM ADAPTER                   | 1    |
| 49    | 90B-39-22         | STOP SPANNER                     | 1    |
| 50    | 90B106S50         | MUFFLER BODY                     | 1    |
| 51    | 9STOB-46-2-AIRCAT | RUBBER HOSE & BAG                | 1    |
| 52    | 9RS0133           | WASHER                           | 1    |