



MODEL 8622A -50:1 AIR-OPERATED GREASE UNIT (16 GAL.)

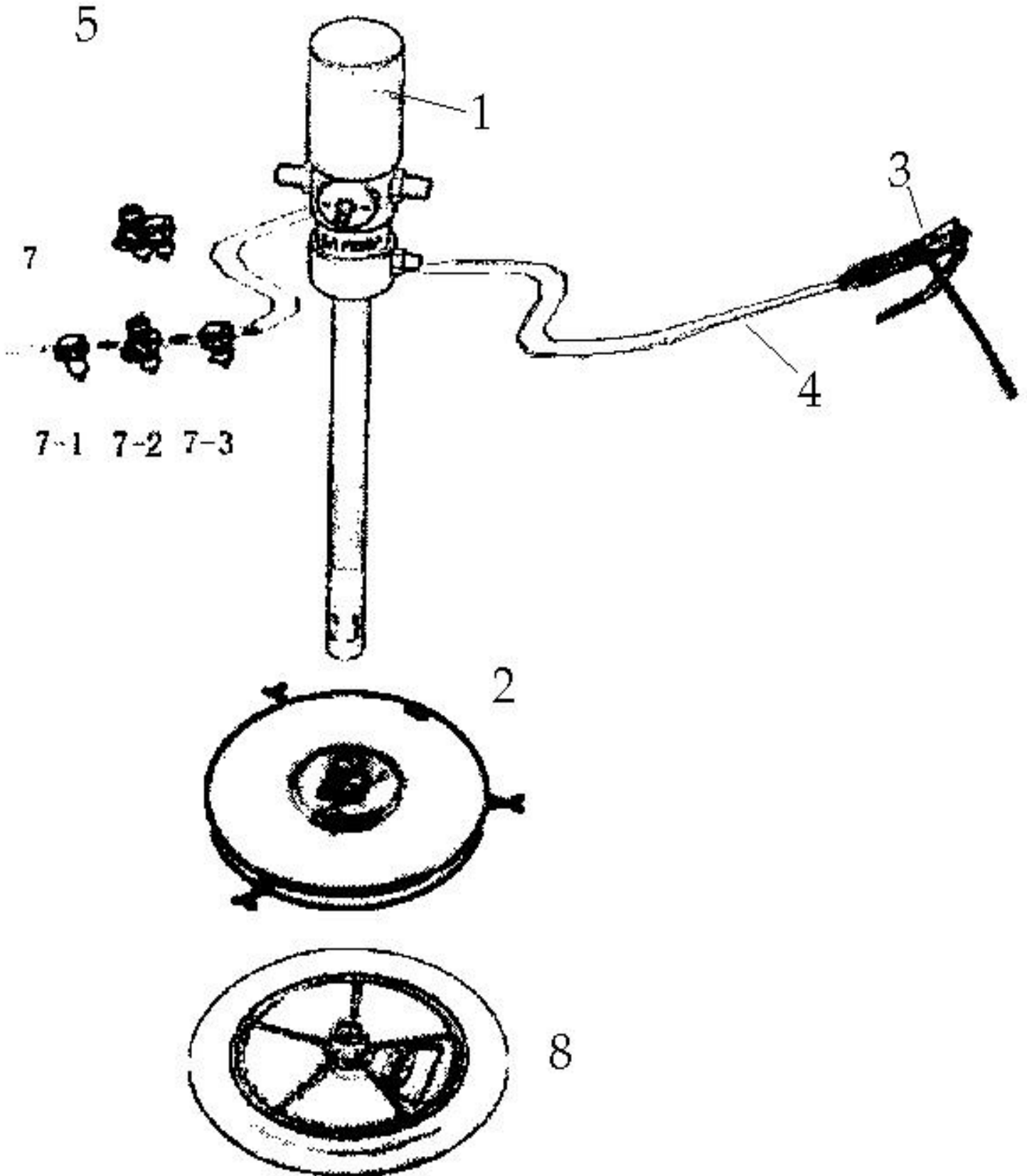
| PART ORDER NUMBER | KIT DESCRIPTION | KIT INCLUDES | |
|----------------------|-----------------|--------------|---------------------------|
| | | REF. # | DESCRIPTION |
| 8620A-P | PUMP ASM | 1 | PUMP COMPLETE |
| 8620AK04 | COVER | 2 | DRUM COVER |
| 8698 | GUN | 3 | GUN COMPLETE |
| 8699 | HOSE | 4 | HOSE WITH FITTINGS |
| 8697 | SWIVEL | | Z-SWIVEL |
| 8620AK14 | PLATE | 8 | FOLLOWER PLATE |
| 8622AK1 | TROLLY | | COMPLETE TROLLY |
| 8622AK12 | KNOB | 12 | KNOB SET OF 4 |
| 8622AK13 | BRACKET | 13 | ACCESSORY SUPPORT BRACKET |
| 8622AK17 | WHEEL | 17 | FIXED WHEEL SET OF 2 |
| 8622AK19 | CASTER | 19 | SWIVEL CASTER COMPLETE |
| NOT AVAILABLE | | 11 | GRIP |
| NOT AVAILABLE | | 15 | DRUM HOLDING HOOK |
| NOT AVAILABLE | | 16 | HANDLE |
| NOT AVAILABLE | | 18 | TROLLY TOP |

*** ONLY PARTS WITH A "PART ORDER NUMBER" ARE AVAILABLE FOR SALE.**

DO NOT COPY OR DISTRIBUTE THIS MATERIAL WITHOUT PERMISSION OF AFF, INC.



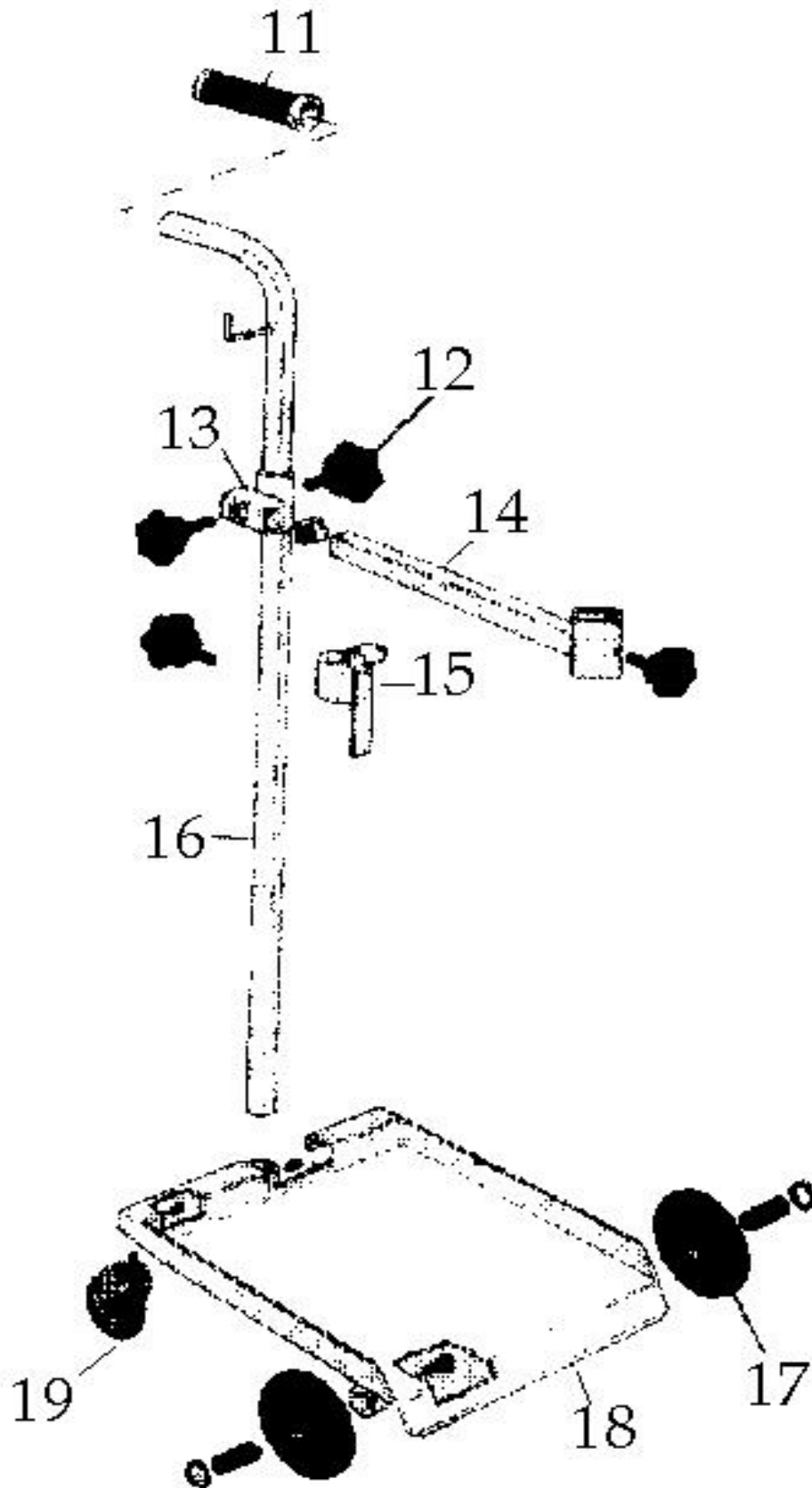
MODEL 8622A -50:1 AIR-OPERATED GREASE UNIT (16 GAL.)



* ONLY PARTS WITH A "PART ORDER NUMBER" ARE AVAILABLE FOR SALE.
DO NOT COPY OR DISTRIBUTE THIS MATERIAL WITHOUT PERMISSION OF AFF, INC.



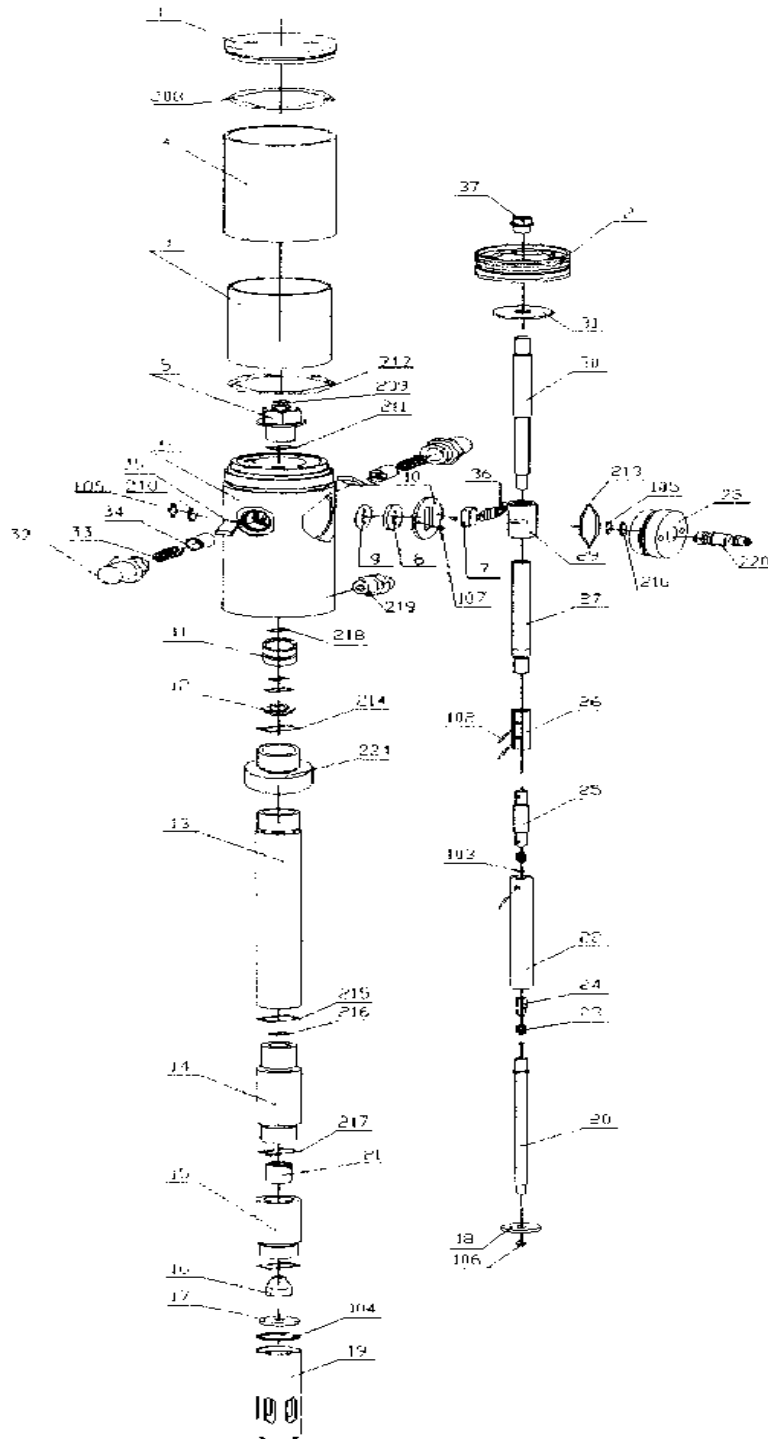
**MODEL 8622A -50:1 AIR-OPERATED GREASE UNIT (16 GAL.)
CART**



*** ONLY PARTS WITH A "PART ORDER NUMBER" ARE AVAILABLE FOR SALE.
DO NOT COPY OR DISTRIBUTE THIS MATERIAL WITHOUT PERMISSION OF AFF, INC.**



MODEL 8622A -50:1 AIR-OPERATED GREASE UNIT (16 GAL.)



*** ONLY PARTS WITH A "PART ORDER NUMBER" ARE AVAILABLE FOR SALE.
DO NOT COPY OR DISTRIBUTE THIS MATERIAL WITHOUT PERMISSION OF AFF, INC.**