



AMERICANFORGE&FOUNDRY™

Super Duty Creeper XL **MODEL 3909**



- ✓ Extra-long 47" length and over 440 lb total capacity
- ✓ Made with 100% High Density Polyethylene for the most durable material available
- ✓ Large urethane wheels provide corrosion resistance and a smooth ride
- ✓ Magnetic trays keeps tools and parts within reach at all times
- ✓ Constructed with "breathing holes" for added ventilation and comfort
- ✓ Easy to clean surface is resistant to solvents and grease
- ✓ Ship weight 16 lbs

**New magnetic feature
keeps tools in place
and within your reach
at all times!**



RELATED PRODUCTS



Model 3908
42" Mechanics Creeper



Model 3901
Power Mat

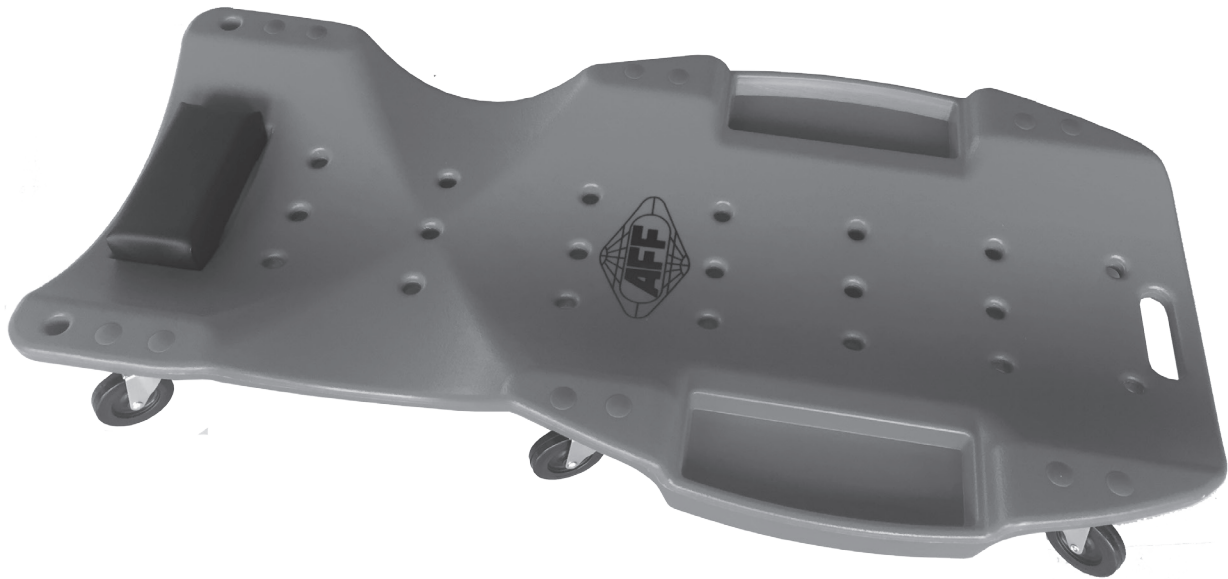


Model 3907
Air Piston Creeper Seat



CONTENTS:

| | |
|--------|--------------------------------|
| Page 1 | Specifications |
| Page 2 | Safety and General Information |
| Page 3 | Parts List |
| Page 4 | Warranty Information |



SPECIFICATIONS

| | |
|----------------|------------------------------|
| Model | 3909 |
| Rated Capacity | 440 lbs |
| Product Size | 46.80"(L)x23.60"(W)x4.70"(H) |
| Head Rest Size | 7.87"(L)x3.54"(W)x1.96"(H) |
| Tool Tray Size | 10.23"(L)x3.14"(W)x.78"(H) |
| Caster Size | 3.00" |
| Product Weight | 13.2 lbs |

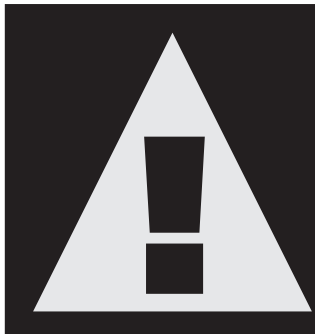


SAFETY AND GENERAL INFORMATION

For your safety, read, understand, and follow the information provided before first use. The owner and operator shall have an understanding of this product and safe operating procedures before attempting to use.

It is the responsibility of the owner and operator to study and understand this product and follow the safety instructions. If the operator is not fluent in English, the product and safety instructions shall be read and discussed in the operator's native language by the purchaser, owner, or his designee.

A copy of these instructions should be kept intact and located in a convenient location for future reference.



WARNING:

Ensure that you read and understand all safety instructions and warnings before use.

Inspect before each use. Do not use if there are broken, bent, cracked, or damaged parts. Any creeper that appears damaged in any way or operates abnormally shall be removed from service immediately.

- DO NOT PLACE UNDER AUTOMOBILE TIRES TO MOVE OR REPOSITION VEHICLE
- DO NOT USE AS A TOY OR SKATEBOARD
- DO NOT STAND ON UNIT OR USE AS A STEPPING DEVICE
- DO NOT USE IF ONE OR MORE WHEELS ARE INOPERATIVE
- DO NOT USE IF ANY PART OF THE SUPPORT STRUCTURE IS BROKEN, SPLIT, OR CRACKED
- ALWAYS STORE IN AN UPRIGHT POSITION
- WHEN NOT IN USE UNIT SHOULD BE STORED IN A SECURE PLACE



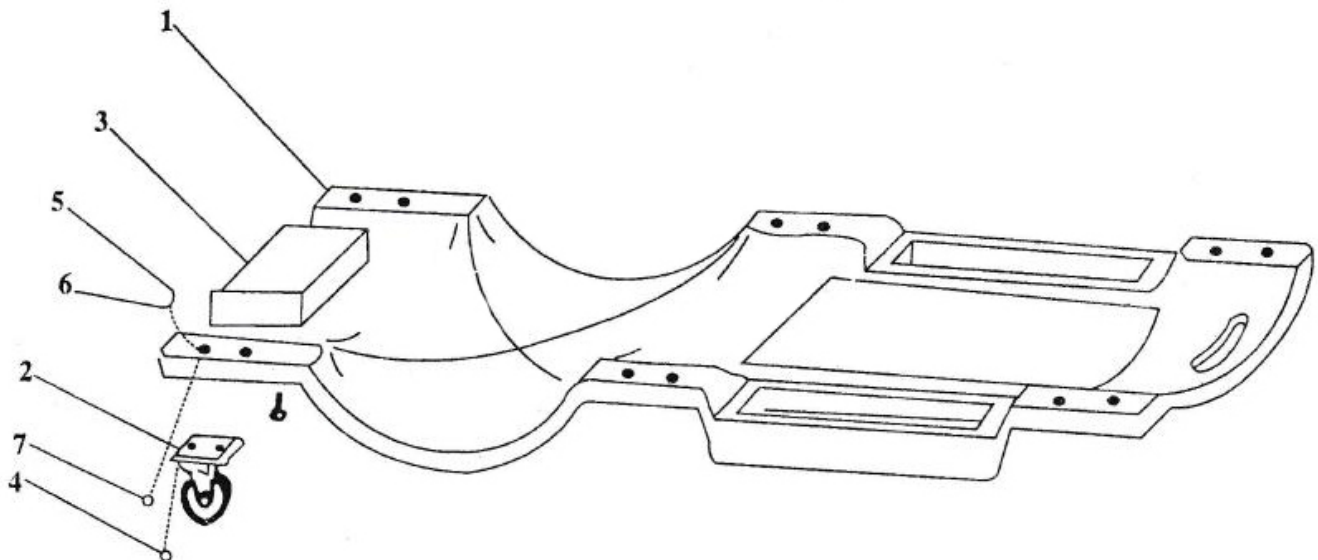
PARTS LIST

PARTS LIST

| No. | DESCRIPTION | QTY |
|-----|------------------|-----|
| 1 | PLASTIC BODY | 1 |
| 2 | 3" SWIVEL CASTER | 6 |
| 3 | HEADREST | 1 |
| 4 | SCREW | 12 |
| 5 | NUT M6 | 12 |
| 6 | FLAT WASHER | 12 |
| 7 | SLEEVE | 12 |
| 8 | SPANNER | 1 |
| 9 | BOLT HOLE COVER | 12 |

ASSEMBLY

1. Place the screw (#4) thru the hole of the caster plate (#2) and up thru the hole of the plastic body (#1.)
2. Put the sleeve (#7) down thru the plastic body (#1) and thru the screw (#4)
3. Place flat washer (#6) on top of screw (#4)
4. Place nut (#5) on top of washer (#6) and screw (#4) and tighten
5. After tightening place bolt hole cover (#9) over hole





1 YEAR LIMITED WARRANTY

AMERICAN FORGE & FOUNDRY, INC. WARRANTS, to the final purchaser, jacks and related service equipment distributed by it to be free from defects in material and workmanship for a period of 1 year from date of sale. This warranty covers American Forge & Foundry and Viking branded products.

If a jack or related equipment is determined to be defective during the warranty period, it will be repaired or replaced without charge provided that the equipment is shipped, transportation charges prepaid and with proof of purchase to American Forge & Foundry, Inc. or to a designated field service depot.

This warranty does not apply to parts damaged from accident, overload, or abuse, nor does it apply to product which has been altered or used with special attachments other than recommended by the distributor or equivalent.

THERE ARE NO OTHER WARRANTIES OF ANY SORT, EXPRESS OR IMPLIED, AND SELLER SPECIFICALLY DISCLAIMS ANY WARRANTY OF MERCHANTABILITY OR OF FITNESS FOR ANY PARTICULAR PURPOSE. THE SELLER'S SOLE OBLIGATION, WHICH SHALL REPRESENT THE BUYER'S SOLE EXCLUSIVE REMEDY, SHALL BE TO REPAIR OR AT THE SELLER'S OPTION TO REPLACE ANY PRODUCT OR PART DETERMINED TO BE DEFECTIVE AS AFOREMENTIONED. IN NO EVENT SHALL THE SELLER BE LIABLE FOR ANY SPECIAL, DIRECT, INDIRECT, INCIDENTAL, CONSEQUENTIAL, OR OTHER DAMAGES OF A SIMILAR PRODUCTION TIME, OR LOSS OR EXPENSES OF ANY NATURE, INCURRED BY THE BUYER OR ANY THIRD PARTY.

For warranty information call American Forge & Foundry toll free at (800) 255-0555