



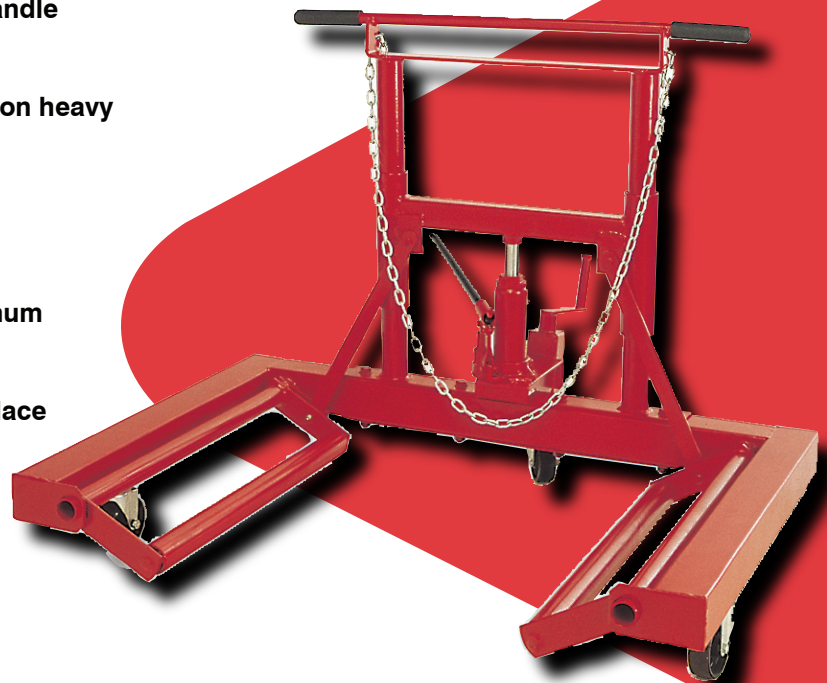
AMERICAN FORGE & FOUNDRY, INC.™

1500 LB. CAPACITY DUAL WHEEL DOLLY

Model 3577

The Model 3577 is used to facilitate the efficient removal, installation and transport of single, or dual truck wheel assemblies.

- Lift arms adjust inward and outward to handle different wheel combinations
- Provides extra low access to easily position heavy wheel assemblies
- Leveling screw for precise alignment
- Full 7-3/4" ram lift
- Three large swivel casters provide maximum flexibility of movement
- Six-foot safety chain secures wheels in place during removal and transport



RELATED PRODUCTS



Model 522SD
22 Ton Super Duty Axle Jack



Model 3135
10 Ton Air / Manual Floor Jack



Model 3700
Clutch Jack

Guilderland Center, NY - 1-800-255-0555 - www.affjaxx.com

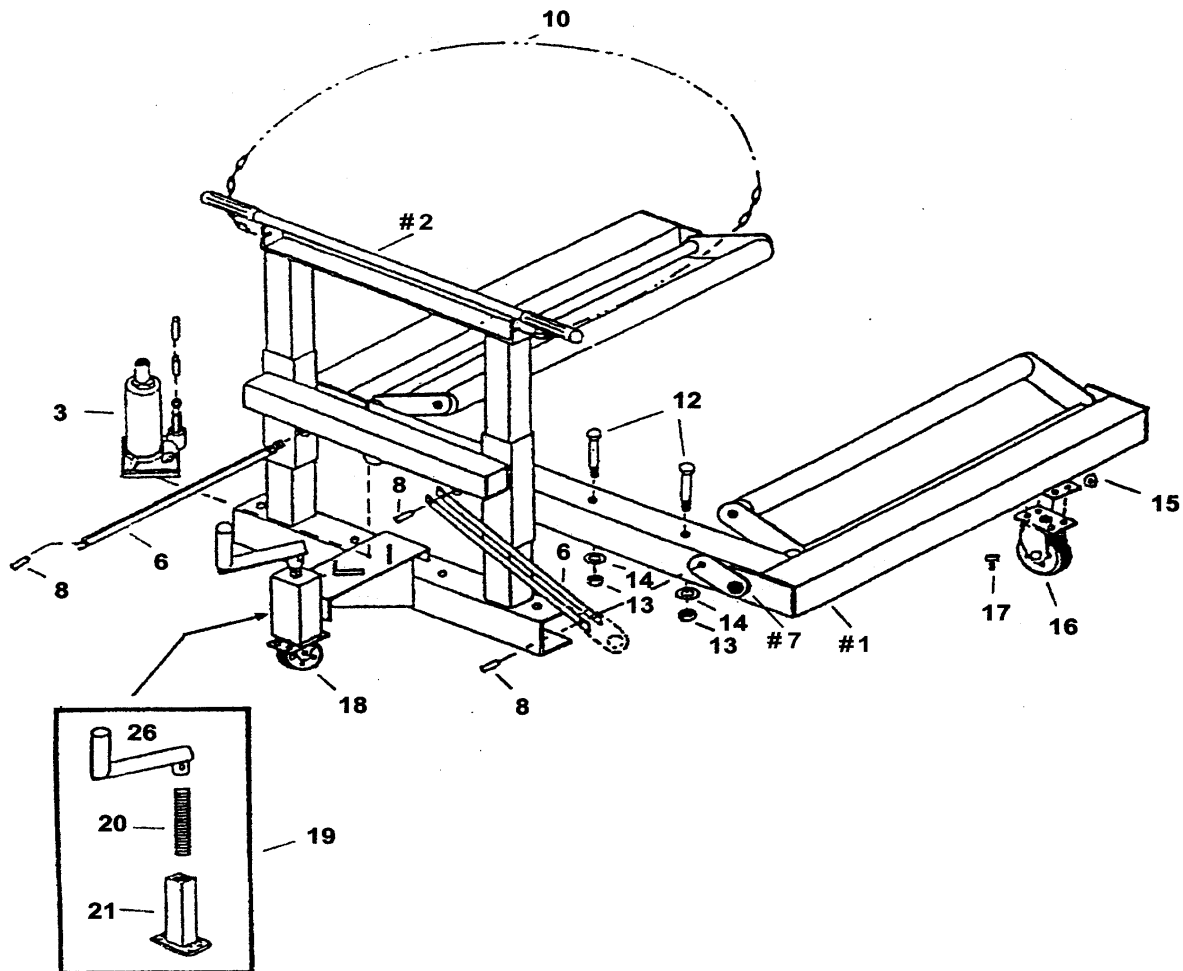


MODEL 3577 - 3/4 TON HEAVY-DUTY WHEEL DOLLY

UPDATED 3/06

PART ORDER NUMBER	KIT DESCRIPTION	KIT INCLUDES	
		REF. #	DESCRIPTION
3577K16	CASTER	16	CASTER - FRONT FORK - 31/2"
3577K18	CASTER	18	CASTER - REAR SWIVEL - 3"
3577K19	CRANK ASSEMBLY	26 21 20	CRANK SLIDE WELDMENT ACME ROD
3577KHK	BOLT KIT	8 9 10 12 13 14 15 17	SHOULDER BOLT - 4 NUT - 4 SAFETY CHAIN BOLT - 4 NUT - 4 FLAT WASHER - 4 HEX LOCK NUT - 8 HEX BOLT - 8
3577K03	JACK	3	JACK WITH HANDLE
NOT AVAILABLE		1	BASE
NOT AVAILABLE		2	UPRIGHT ASSEMBLY
NOT AVAILABLE		6	LIFTING STRAP - 4

*** ONLY PARTS WITH A "PART ORDER NUMBER" ARE AVAILABLE FOR SALE**



DO NOT COPY OR DISTRIBUTE THIS MATERIAL WITHOUT PERMISSION OF AFF, INC.