



5N11

Use For

- Certain solids such as those from processing minerals, coal, iron ore, cotton, flour and certain other substances.
- Liquid or non-oil based particles from sprays that do not also emit oil aerosols or vapors.
- Certain metal fumes produced from welding, brazing, cutting and other operations involving heating of metals.

Do Not Use For

- Do not use for gases and vapors including those present in paint spraying operations, unless combined with approved chemical cartridges.
- Do not use for asbestos.
- Do not use for sandblasting.
- In the U.S., do not use when OSHA substance specific standards, such as those for arsenic, cadmium, lead in the construction industry, or 4,4'-methylenedianiline (MDA) specify other types of respiratory protection.

Biological Particles

These particulate filters can help reduce inhalation exposures to certain airborne biological particles (e.g. mold, *Bacillus anthracis*, avian influenza, *Mycobacterium tuberculosis*, etc.), but cannot eliminate the risk of contracting infection, illness or disease. OSHA and other government agencies have not established safe exposure limits for these contaminants.

Use Instructions

1. Failure to follow all instructions and limitations on the use of these filters and/or failure to wear the respirator during all times of exposure can reduce respirator effectiveness and **may result in sickness or death.**
2. Before occupational use of these filters, a written respiratory protection program must be implemented meeting all the local applicable requirements. In the U.S., follow OSHA 29 CFR 1910.134 which includes medical evaluation, training and fit testing. In the U.S., users must also comply with applicable OSHA substance specific standards. In Canada, CSA standard Z94.4 requirements must be met and/or requirements of the applicable jurisdiction, as appropriate. In Brazil, follow the requirements of the Respiratory Protection Program of the Ministry of Labor.
3. The airborne contaminants which can be dangerous to your health include those so small that you cannot see them.
4. Leave the contaminated area immediately and contact your supervisor if dizziness, irritation, or other distress occurs.
5. Store the filters and respirator away from contaminated areas when not in use.
6. Dispose of used product in accordance with applicable regulations.

Use Limitations

1. These filters do not supply oxygen. Do not use in atmospheres containing less than 19.5% oxygen.
2. Do not use when concentrations of contaminants:
 - are immediately dangerous to life or health,
 - are unknown,
 - are greater than 10 times the permissible exposure limit (PEL) with half facepiece respirators and full facepiece respirators when qualitatively fit tested,
 - are greater than 50 times the PEL with full facepiece respirators when quantitatively fit tested, or
 - exceed specific local applicable government regulations (such as OSHA standards in the U.S.) or other applicable government regulations, whichever is lower.
3. Do not alter, clean (e.g. vacuum, wash, use compressed air), abuse or misuse these filters and/or respirator.
4. Do not use with beards or other facial hair or other conditions that prevent a good seal between the face and the sealing surface of the respirator.

In Brazil, according to the Respiratory Protection Program of the Ministry of Labor, do not use when concentrations of contaminants are greater than 10 times the permissible exposure limit using a half facepiece or 100 times the permissible exposure limit using a full facepiece.

Time Use Limitation

If filters become damaged, soiled, or breathing becomes difficult, leave the contaminated area immediately and replace the filters.

Storage Conditions and Shelf Life

Before use, store filters in the original packaging away from contaminated areas, dust, sunlight, extreme temperatures, excessive moisture and damaging chemicals. When stored in accordance with temperature and humidity conditions specified below, the filter may be used until the "use by" date specified on packaging. Always inspect product and conduct a user seal check before use as specified in the respirator *User Instructions*. **If you CANNOT achieve a proper seal, DO NOT enter the contaminated area. See your supervisor.**

- End of Shelf Life
Use respirators before the "use by" date specified on packaging
- Storage Temperature Range
-20°C (-4°F) to +30°C (+86°F)
- Storage Maximum Relative Humidity
<80% RH

Particulate Filter, N95

User Instructions for 3M™ Particulate Filter 5N11, N95 98-0060-0059-4_5
IMPORTANT: Keep these User Instructions for reference. 34-8719-2962-5

For use with 3M™ Filter Retainer 501 (07054*) on 3M™ Respirator 5000 Series, Cartridges 6000 Series or Filter Adapter 603 only.
* 07054 is a catalog number only. NIOSH approved as 3M™ Filter Retainer 501.

This respirator filter has dual approval as a United States (US) National Institute for Occupational Safety and Health (NIOSH) N95 particulate filter and as a Brazil Ministry of Labor approved P2 S particulate filter. Specific information is provided where applicable. All other information is common to both standards.

Refer to facepiece User Instructions for Installation



WARNING
This filter helps protect against certain airborne particles. **Misuse may result in sickness or death.**

IMPORTANT

Before use, the wearer must read and understand these *User Instructions* and the *User Instructions* for the 3M™ Full and Half Facepiece Respirators, 5000 Series, 6000 Series, 7000 or FF-400 Series to be used with these filters. These filters are NIOSH approved only for use with 3M™ Full and Half Facepiece Respirators, 5000 Series, 6000 Series, 7000 Series and FF-400 Series. Keep these *User Instructions* for reference.

Assembly Instructions for 5N11 filter with 501 (07054) retainer and cartridge

1. Place the 5N11 filter into the 501 (07054) filter retainer so the printed side of the filter faces up (Fig. 1).
2. Press the cartridge into 501 (07054) filter retainer. Filter retainer should attach securely to cartridge. The 5N11 filter **must** completely cover the face of the cartridge (Fig. 2). Printing on the filter is not visible when the filter is properly oriented.
3. To replace the 5N11 filter, remove the 501 filter retainer by lifting on the tab (Fig. 3).

NOTE: Use of the 501 (07054) filter retainer may aid respirator wearer in conducting a negative pressure User Seal Check.

Assembly Instructions for 5N11 filter with 603 adapter and 501 (07054) retainer

1. Align notch on edge of 603 adapter with facepiece mark, as shown, and push together (Fig. 4).
2. Turn adapter 1/4 turn clockwise to stop. To remove adapter, turn 1/4 turn counterclockwise (Fig. 5).
3. Place filter into 501 retainer with filter printing facing towards the 603 adapter. Snap together and ensure the filter seal is free from creases or gaps (Fig. 6).

NIOSH Approved: N95 Particulate Filter.

At least 95% filtration efficiency against solid and liquid aerosols that do not contain oil.

For Compliance in Brazil NOTE: Particulate Filter 5N11, P2 S

In Brazil, Ministry of Labor approved as filter class P2 S.

NOTE:

1. In Brazil do not use when concentrations of contaminants are greater than 100 times the permissible exposure limit in air-purifying mode using full facepiece.
2. Do not use in deficient or enriched oxygen atmospheres.
3. Storage, Transportation and Care: Store in a clean and dry place and away from contaminants and extreme temperature and humidity.
4. The components of this respirator are made of materials which are not expected to cause adverse health effects.
5. It is necessary to have special care to use this product in explosives atmospheres.

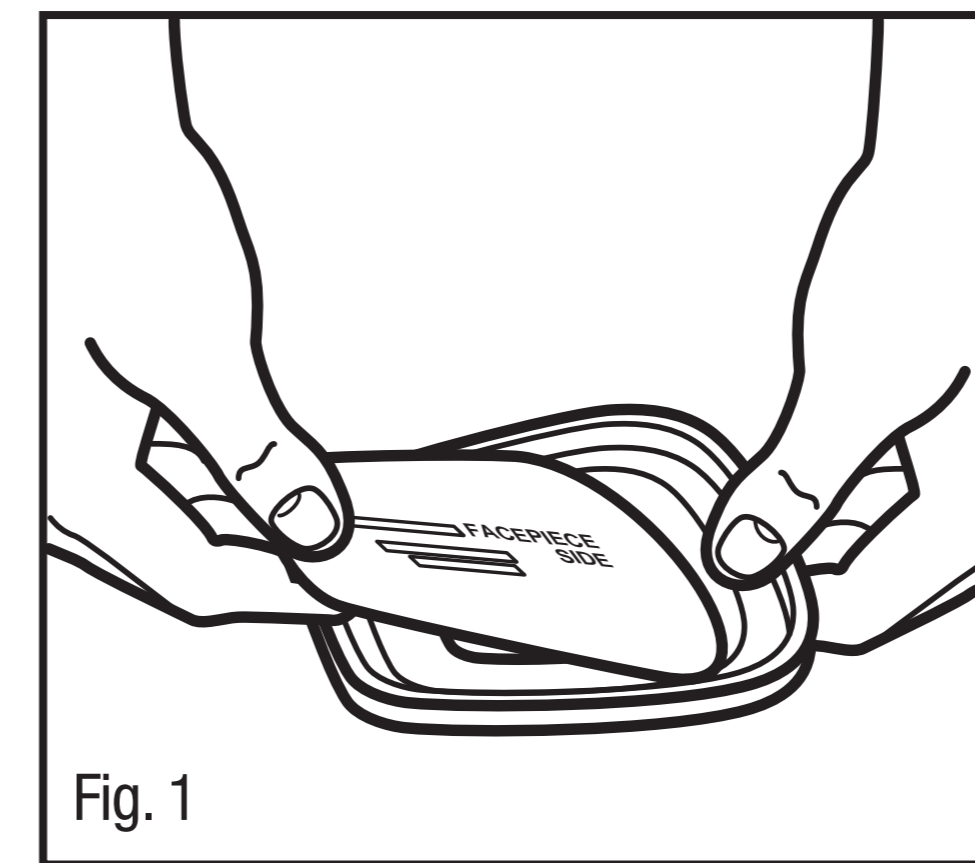


Fig. 1

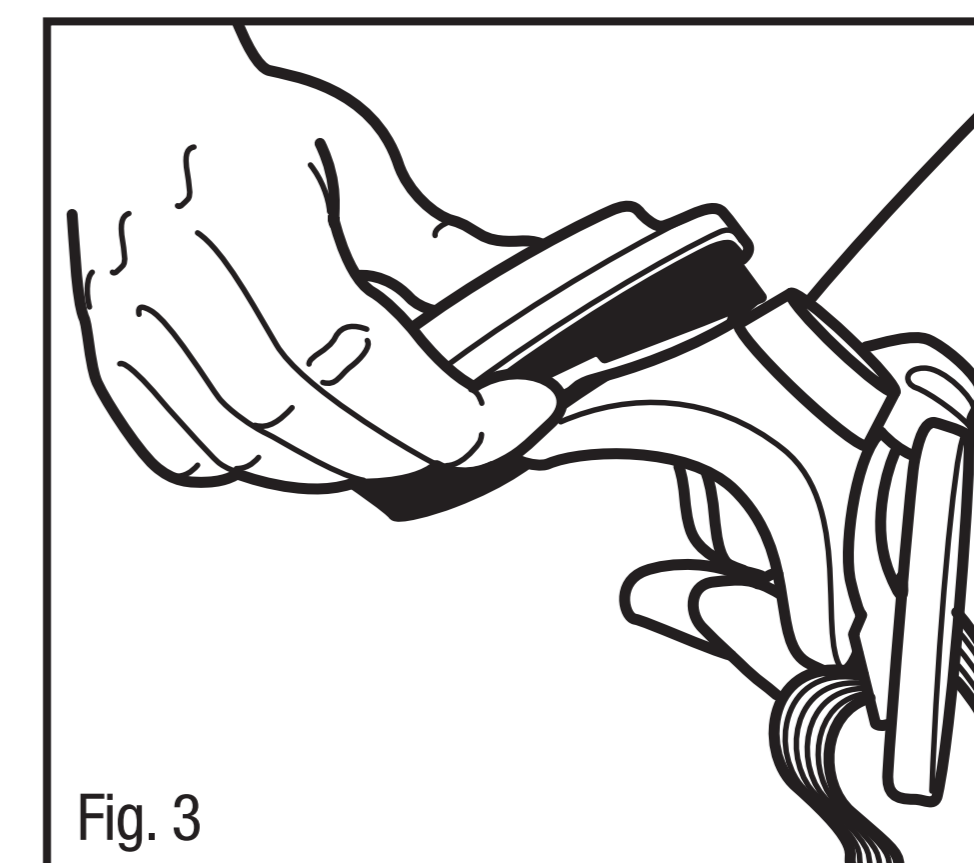


Fig. 3

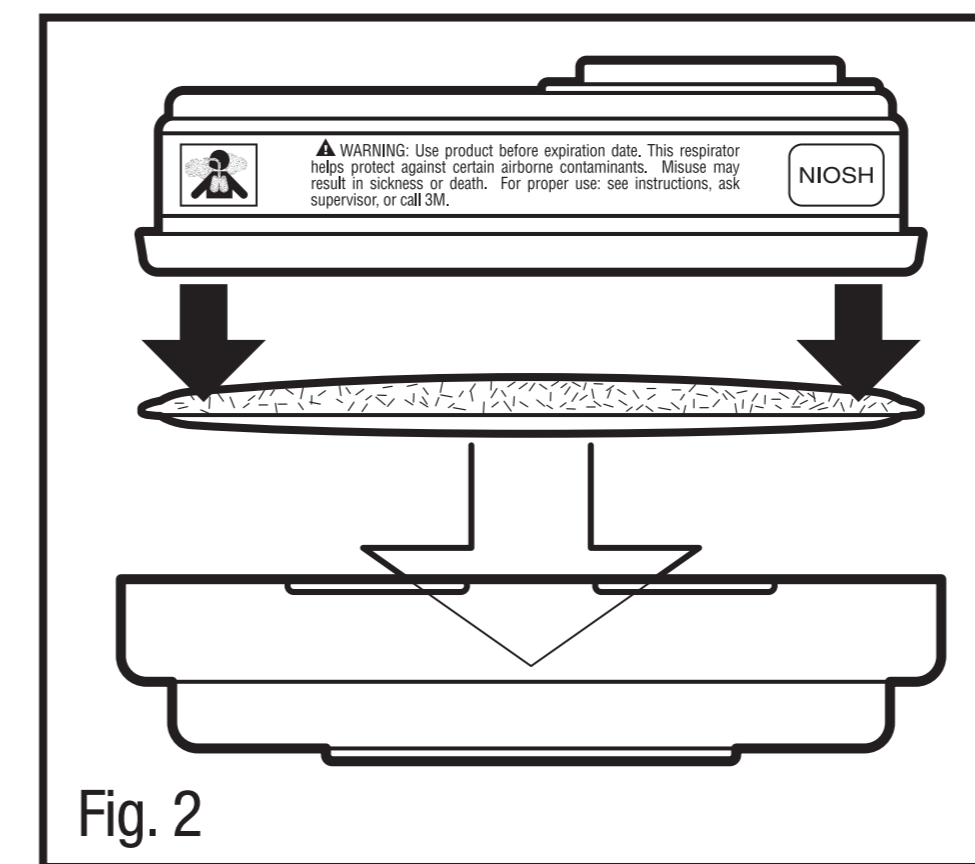


Fig. 2

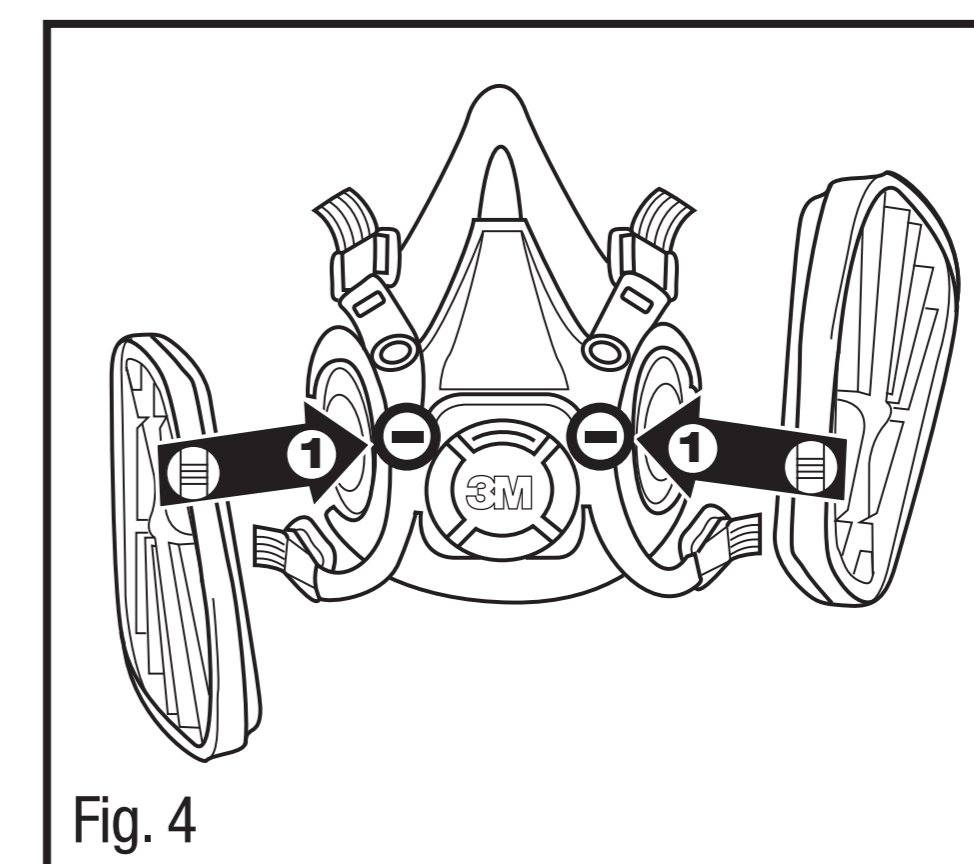


Fig. 4

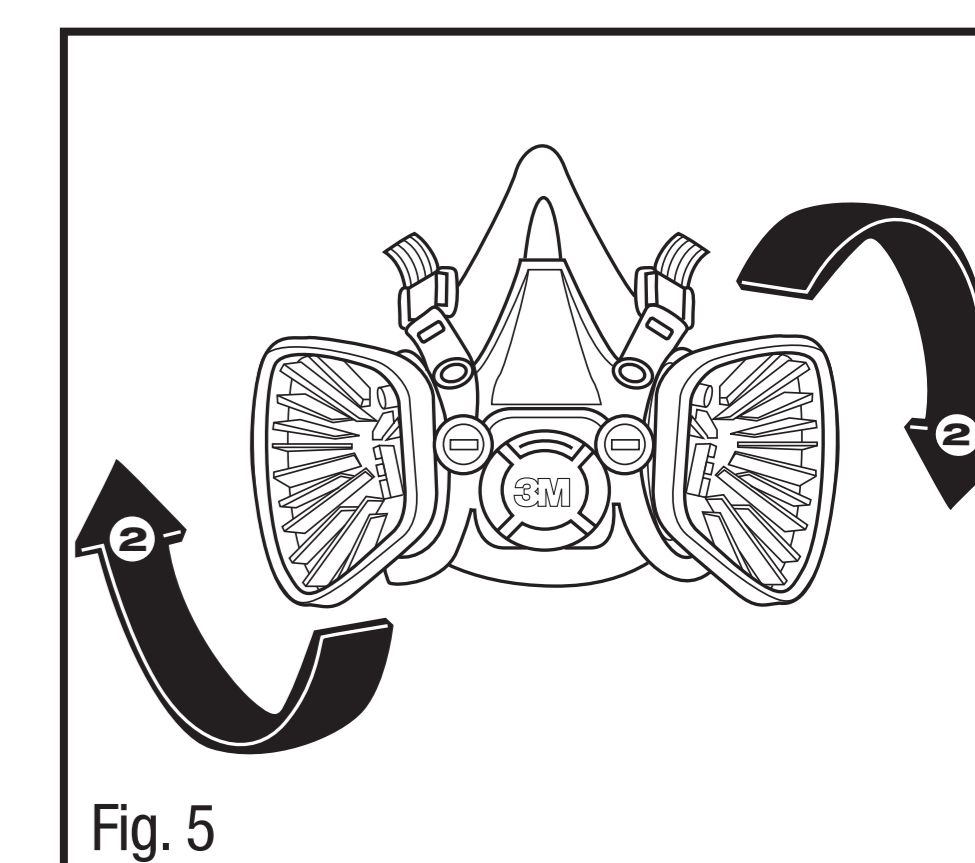


Fig. 5

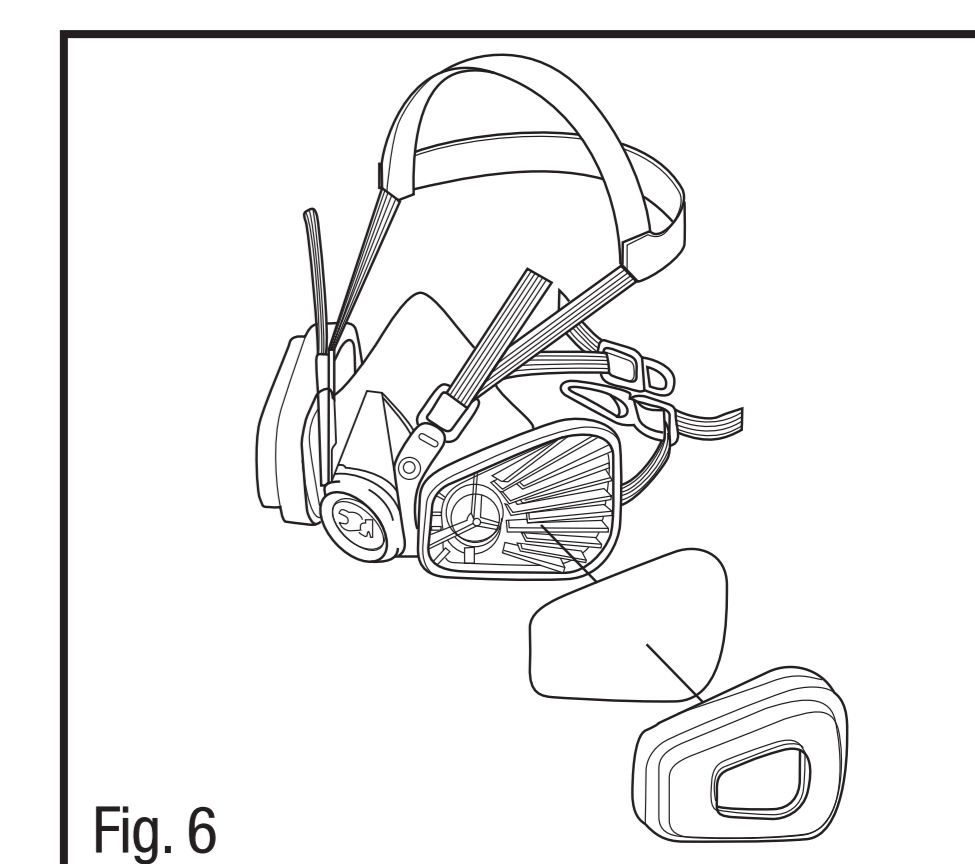


Fig. 6



THIS FILTER IS APPROVED ONLY IN THE FOLLOWING CONFIGURATIONS

RESPIRATORY COMPONENTS



TC	PROTECTION	5011	5012	5013	5014	5015	5016	5017	5018	5019	5020	5021	5022	5023	5024	5025	5026	5027	5028	5029	5030	5031	5032	5033	5034	5035	5036	5037	5038	5039	5040	5041	5042	5043	5044	5045	5046	5047	5048	5049	5050	5051	5052	5053	5054	5055	5056	5057	5058	5059	5060	5061	5062	5063	5064	5065	5066	5067	5068	5069	5070	5071	5072	5073	5074	5075	5076	5077	5078	5079	5080	5081	5082	5083	5084	5085	5086	5087	5088	5089	5090	5091	5092	5093	5094	5095	5096	5097	5098	5099	5100	5101	5102	5103	5104	5105	5106	5107	5108	5109	5110	5111	5112	5113	5114	5115	5116	5117	5118	5119	5120	5121	5122	5123	5124	5125	5126	5127	5128	5129	5130	5131	5132	5133	5134	5135	5136	5137	5138	5139	5140	5141	5142	5143	5144	5145	5146	5147	5148	5149	5150	5151	5152	5153	5154	5155	5156	5157	5158	5159	5160	5161	5162	5163	5164	5165	5166	5167	5168	5169	5170	5171	5172	5173	5174	5175	5176	5177	5178	5179	5180	5181	5182	5183	5184	5185	5186	5187	5188	5189	5190	5191	5192	5193	5194	5195	5196	5197	5198	5199	5200	5201	5202	5203	5204	5205	5206	5207	5208	5209	5210	5211	5212	5213	5214	5215	5216	5217	5218	5219	5220	5221	5222	5223	5224	5225	5226	5227	5228	5229	5230	5231	5232	5233	5234	5235	5236	5237	5238	5239	5240	5241	5242	5243	5244	5245	5246	5247	5248	5249	5250	5251	5252	5253	5254	5255	5256	5257	5258	5259	5260	5261	5262	5263	5264	5265	5266	5267	5268	5269	5270	5271	5272	5273	5274	5275	5276	5277	5278	5279	5280	5281	5282	5283	5284	5285	5286	5287	5288	5289	5290	5291	5292	5293	5294	5295	5296	5297	5298	5299	5300	5301	5302	5303	5304	5305	5306	5307	5308	5309	5310	5311	5312	5313	5314	5315	5316	5317	5318	5319	5320	5321	5322	5323	5324	5325	5326	5327	5328	5329	5330	5331	5332	5333	5334	5335	5336	5337	5338	5339	5340	5341	5342	5343	5344	5345	5346	5347	5348	5349	5350	5351	5352	5353	5354	5355	5356	5357	5358	5359	5360	5361	5362	5363	5364	5365	5366	5367	5368	5369	5370	5371	5372	5373	5374	5375	5376	5377	5378	5379	5380	5381	5382	5383	5384	5385	5386	5387	5388	5389	5390	5391	5392	5393	5394	5395	5396	5397	5398	5399	5400	5401	5402	5403	5404	5405	5406	5407	5408	5409	5410	5411	5412	5413	5414	5415	5416	5417	5418	5419	5420	5421	5422	5423	5424	5425	5426	5427	5428	5429	5430	5431	5432	5433	5434	5435	5436	5437	5438	5439	5440	5441	5442	5443	5444	5445	5446	5447	5448	5449	5450	5451	5452	5453	5454	5455	5456	5457	5458	5459	5460	5461	5462	5463	5464	5465	5466	5467	5468	5469	5470	5471	5472	5473	5474	5475	5476	5477	5478	5479	5480	5481	5482	5483	5484	5485	5486	5487	5488	5489	5490	5491	5492	5493	5494	5495	5496	5497	5498	5499	5500	5501	5502	5503	5504	5505	5506	5507	5508	5509	5510	5511	5512	5513	5514	5515	5516	5517	5518	5519	5520	5521	5522	5523	5524	5525	5526	5527	5528	5529	5530	5531	5532	5533	5534	5535	5536	5537	5538	5539	5540	5541	5542	5543	5544	5545	5546	5547	5548	5549	5550	5551	5552	5553	5554	5555	5556	5557	5558	5559	5560	5561	5562	5563	5564	5565	5566	5567	5568	5569	5570	5571	5572	5573	5574	5575	5576	5577	5578	5579	5580	5581	5582	5583	5584	5585	5586	5587	5588	5589	5590	5591	5592	5593	5594	5595	5596	5597	5598	5599	5600	5601	5602	5603	5604	5605	5606	5607	5608	5609	5610	5611	5612	5613	5614	5615	5616	5617	5618	5619	5620	5621	5622	5623	5624	5625	5626	5627	5628	5629	5630	5631	5632	5633	5634	5635	5636	5637	5638	5639	5640	5641	5642	5643	5644	5645	5646	5647	5648	5649	5650	5651	5652	5653	5654	5655	5656	5657	5658	5659	5660	5661	5662	5663	5664	5665	5666	5667	5668	5669	5670	5671	5672	5673	5674	5675	5676	5677	5678	5679	5680	5681	5682	5683	5684	5685	5686	5687	5688	5689	5690	5691	5692	5693	5694	5695	5696	5697	5698	5699	5700	5701	5702	5703	5704	5705	5706	5707	5708	5709	5710	5711	5712	5713	5714	5715	5716	5717	5718	5719	5720	5721	5722	5723	5724	5725	5726	5727	5728	5729	5730	5731	5732	5733	5734	5735	5736	5737	5738	5739	5740	5741	5742	5743	5744	5745	5746	5747	5748	5749	5750	5751	5752	5753	5754	5755	5756	5757	5758	5759	5760	5761	5762	5763	5764	5765	5766	5767	5768	5769	5770	5771	5772	5773	5774	5775	5776	5777	5778	5779	5780	5781	5782	5783	5784	5785	5786	5787	5788	5789	5790	5791	5792	5793	5794	5795	5796	5797	5798	5799	5800	5801	5802	5803	5804	5805	5806	5807	5808	5809	5810	5811	5812	5813	5814	5815	5816	5817	5818	5819	5820	5821	5822	5823	5824	5825	5826	5827	5828	5829	5830	5831	5832	5833	5834	5835	5836	5837	5838	5839	5840	5841	5842	5843	5844	5845	5846	5847	5848	5849	5850	5851	5852	5853	5854	5855	5856	5857	5858	5859	5860	5861	5862	5863	5864	5865	5866	5867	5868	5869	5870	5871	5872	5873	5874	5875	5876	5877	5878	5879	5880	5881	5882	5883	5884	5885	5886	5887	5888	5889	5890	5891	5892	5893	5894	5895	5896	5897	5898	5899	5900	5901	5902	5903	5904	5905	5906	5907	5908	5909	5910	5911	5912	5913	5914	5915	5916	5917	5918	5919	5920	5921	5922	5923	5924	5925	5926	5927	5928	5929	5930	5931	5932	5933	5934	5935	5936	5937	5938	5939	5940	5941	5942	5943	5944	5945	5946	5947	5948	5949	5950	5951	5952	5953	5954	5955	5956	5957	5958	5959	5960	5961	5962	5963	5964	5965	5966	5967	5968	5969	5970	5971	5972	5973	5974	5975	5976	5977	5978	5979	5980	5981	5982	5983	5984	5985	5986	5987	5988	5989	5990	5991	5992	5993	5994	5995	5996	5997	5998	5999	6000	6001	6002	6003	6004	6005	6006	6007	6008	6009	6010	6011	6012	6013	6014	6015	6016	6017	6018	6019	6020	6021	6022	6023	6024	6025	6026	6027	6028	6029	6030	6031	6032	6033	6034	6035	6036	6037	6038	6039	6040	6041	6042	6043	6044	6045	6046	6047	6048	6049	6050	6051	6052	6053	6054	6055	6056	6057	6058	6059	6060	6061	6062	6063	6064	6065	6066	6067	6068	6069	6070	6071	6072	6073	6074	6075	6076	6077	6078	6079	6080	6081	6082	6083	6084	6085	6086	6087	6088	6089	6090	6091	6092	6093	6094	6095	6096	6097	6098	6099	6100	6101	6102	6103	6104	6105	6106	6107	6108	6109	6110	6111	6112	6113	6114	6115	6116	6117	6118	6119	6120	6121	6122	6123	6124	6125	6126	6127	6128	6129	6130	6131	6132	6133	6134	6135	6136	6137	6138	6139	6140	6141	6142	6143	6144	6145	6146	6147	6148	6149	6150	6151	6152	6153	6154	6155	6156	6157	6158	6159	6160	6161	6162	6163	6164	6165	6166	6167	6168	6169	6170	6171	6172	6173	6174	6175	6176	6177	6178	6179	6180	6181	6182	6183	6184	6185	6186	6187	6188	6189	6190	6191	6192	6193	6194	6195	6196	6197	6198	6199	6200	6201	6202	6203	6204	6205	6206	6207	6208	6209	6210	6211	6212	6213	6214	6215	6216	6217	6218	6219	6220	6221	6222	6223	6224	6225	6226	
----	------------	------	------	------	------	------	------	------	------	------	------	------	------	------	------	------	------	------	------	------	------	------	------	------	------	------	------	------	------	------	------	------	------	------	------	------	------	------	------	------	------	------	------	------	------	------	------	------	------	------	------	------	------	------	------	------	------	------	------	------	------	------	------	------	------	------	------	------	------	------	------	------	------	------	------	------	------	------	------	------	------	------	------	------	------	------	------	------	------	------	------	------	------	------	------	------	------	------	------	------	------	------	------	------	------	------	------	------	------	------	------	------	------	------	------	------	------	------	------	------	------	------	------	------	------	------	------	------	------	------	------	------	------	------	------	------	------	------	------	------	------	------	------	------	------	------	------	------	------	------	------	------	------	------	------	------	------	------	------	------	------	------	------	------	------	------	------	------	------	------	------	------	------	------	------	------	------	------	------	------	------	------	------	------	------	------	------	------	------	------	------	------	------	------	------	------	------	------	------	------	------	------	------	------	------	------	------	------	------	------	------	------	------	------	------	------	------	------	------	------	------	------	------	------	------	------	------	------	------	------	------	------	------	------	------	------	------	------	------	------	------	------	------	------	------	------	------	------	------	------	------	------	------	------	------	------	------	------	------	------	------	------	------	------	------	------	------	------	------	------	------	------	------	------	------	------	------	------	------	------	------	------	------	------	------	------	------	------	------	------	------	------	------	------	------	------	------	------	------	------	------	------	------	------	------	------	------	------	------	------	------	------	------	------	------	------	------	------	------	------	------	------	------	------	------	------	------	------	------	------	------	------	------	------	------	------	------	------	------	------	------	------	------	------	------	------	------	------	------	------	------	------	------	------	------	------	------	------	------	------	------	------	------	------	------	------	------	------	------	------	------	------	------	------	------	------	------	------	------	------	------	------	------	------	------	------	------	------	------	------	------	------	------	------	------	------	------	------	------	------	------	------	------	------	------	------	------	------	------	------	------	------	------	------	------	------	------	------	------	------	------	------	------	------	------	------	------	------	------	------	------	------	------	------	------	------	------	------	------	------	------	------	------	------	------	------	------	------	------	------	------	------	------	------	------	------	------	------	------	------	------	------	------	------	------	------	------	------	------	------	------	------	------	------	------	------	------	------	------	------	------	------	------	------	------	------	------	------	------	------	------	------	------	------	------	------	------	------	------	------	------	------	------	------	------	------	------	------	------	------	------	------	------	------	------	------	------	------	------	------	------	------	------	------	------	------	------	------	------	------	------	------	------	------	------	------	------	------	------	------	------	------	------	------	------	------	------	------	------	------	------	------	------	------	------	------	------	------	------	------	------	------	------	------	------	------	------	------	------	------	------	------	------	------	------	------	------	------	------	------	------	------	------	------	------	------	------	------	------	------	------	------	------	------	------	------	------	------	------	------	------	------	------	------	------	------	------	------	------	------	------	------	------	------	------	------	------	------	------	------	------	------	------	------	------	------	------	------	------	------	------	------	------	------	------	------	------	------	------	------	------	------	------	------	------	------	------	------	------	------	------	------	------	------	------	------	------	------	------	------	------	------	------	------	------	------	------	------	------	------	------	------	------	------	------	------	------	------	------	------	------	------	------	------	------	------	------	------	------	------	------	------	------	------	------	------	------	------	------	------	------	------	------	------	------	------	------	------	------	------	------	------	------	------	------	------	------	------	------	------	------	------	------	------	------	------	------	------	------	------	------	------	------	------	------	------	------	------	------	------	------	------	------	------	------	------	------	------	------	------	------	------	------	------	------	------	------	------	------	------	------	------	------	------	------	------	------	------	------	------	------	------	------	------	------	------	------	------	------	------	------	------	------	------	------	------	------	------	------	------	------	------	------	------	------	------	------	------	------	------	------	------	------	------	------	------	------	------	------	------	------	------	------	------	------	------	------	------	------	------	------	------	------	------	------	------	------	------	------	------	------	------	------	------	------	------	------	------	------	------	------	------	------	------	------	------	------	------	------	------	------	------	------	------	------	------	------	------	------	------	------	------	------	------	------	------	------	------	------	------	------	------	------	------	------	------	------	------	------	------	------	------	------	------	------	------	------	------	------	------	------	------	------	------	------	------	------	------	------	------	------	------	------	------	------	------	------	------	------	------	------	------	------	------	------	------	------	------	------	------	------	------	------	------	------	------	------	------	------	------	------	------	------	------	------	------	------	------	------	------	------	------	------	------	------	------	------	------	------	------	------	------	------	------	------	------	------	------	------	------	------	------	------	------	------	------	------	------	------	------	------	------	------	------	------	------	------	------	------	------	------	------	------	------	------	------	------	------	------	------	------	------	------	------	------	------	------	------	------	------	------	------	------	------	------	------	------	------	------	------	------	------	------	------	------	------	------	------	------	------	------	------	------	------	------	------	------	------	------	------	------	------	------	------	------	------	------	------	------	------	------	------	------	------	------	------	------	------	------	------	------	------	------	------	------	------	------	------	------	------	------	------	------	------	------	------	------	------	------	------	------	------	------	------	------	------	------	------	------	------	------	------	------	------	------	------	------	------	------	------	------	------	------	------	------	------	------	------	------	------	------	------	------	------	------	------	------	------	------	------	------	------	------	------	------	------	------	------	------	------	------	------	------	------	------	------	------	------	------	------	------	------	------	------	------	------	------	------	------	------	------	------	------	------	------	------	------	------	------	------	------	------	------	------	------	------	------	------	------	------	------	------	------	------	------	------	------	------	------	------	------	------	------	------	------	------	------	------	------	------	------	------	------	------	------	------	------	------	------	------	------	------	------	------	------	------	------	------	------	------	------	------	------	------	------	------	------	------	------	------	------	------	------	------	------	------	------	--