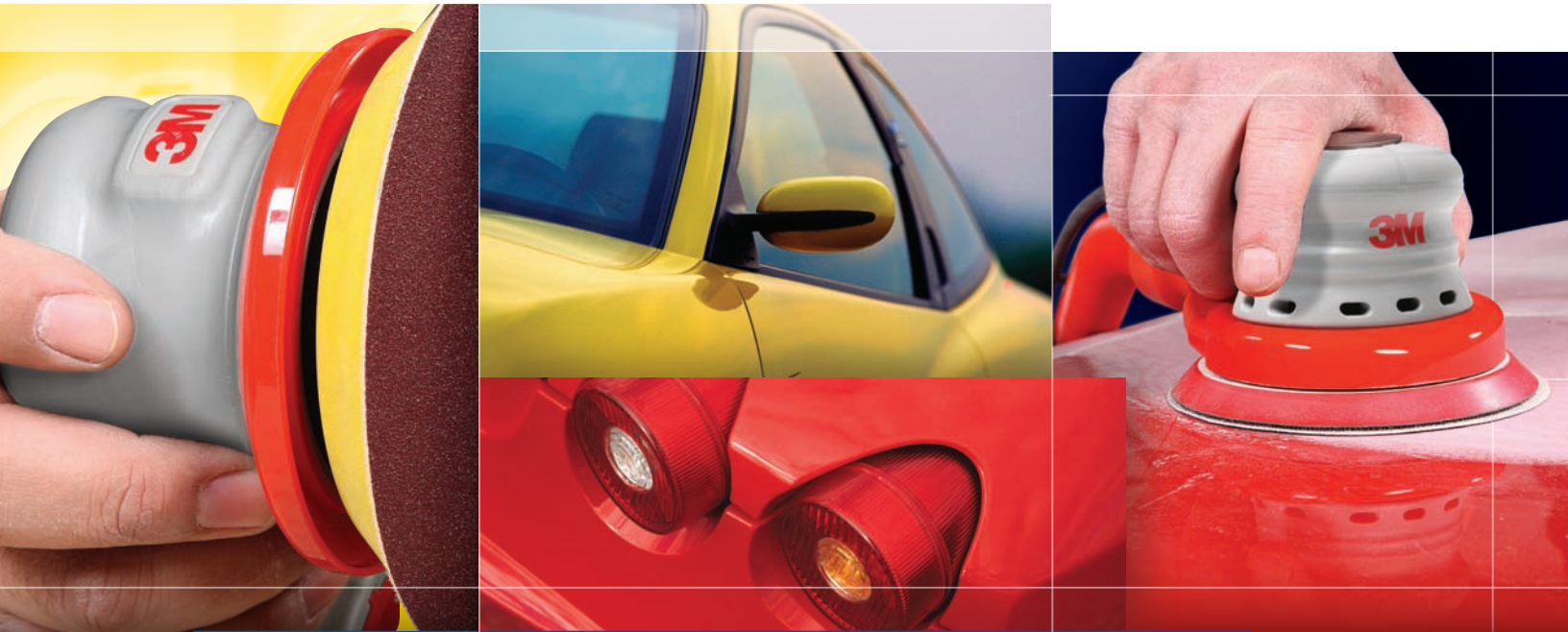


**NEW 3M™ Elite Series Air-Powered Random Orbital/Orbital Sanders**  
**NEW 3M™ Electric Random Orbital Sanders**



# Redefining The Finish Line

**NEW Elite Series Air-Powered Sanders and  
NEW Electric Random Orbital Sanders**

- Two new tool lineups
- Ergonomic enhancements for increased operator comfort
- Innovative design upgrades for longer tool life, and greater productivity
- Power-packed with performance

3M™ Elite Series Sanders



3M™ Electric Sanders



**3M**

# Meet the **New** 3M Power Players



## 3M™ Electric Random Orbital Sanders

Focused power that strikes where you need it

A mobile strikeforce that goes where air supply may be suboptimal, yet packs a punch with its .20–.24 HP motor.

### Electric Power for Efficiency and Convenience

- Portability — wherever electricity is available
- Consistent performance when air supply is inadequate or unavailable
- Can lower operating costs where tool usage and replacement is moderate

### Designed for the Operator

- Unique low profile for maximum control
- Ergonomically enhanced for less vibration, quiet operation, more wrist support and overall operator comfort







## 3M™ Elite Random Orbital Sanders

Premier comfort combined with long-lasting performance

3M's most innovative improvements for operations that are tough on tools through constant usage. The durability and operator ergonomics of 3M's Elite line of air tools will blow you away.

### Built to Last

- Durable composite cover reduces cracked housings and downtime
- Sturdy, lightweight aluminum body
- No breakage of internally located muffler
- .28 HP for your biggest sanding jobs
- Repositioned air valve to eliminate inadvertent adjustment

### Designed for Maximum Operator Comfort

- Ergonomically enhanced for less vibration, quiet operation, more wrist support and overall operator comfort
- Lever is recessed, so no pinch points
- Extended-to-base grip for improved tactile feel and reduced vibration



## NEW! The 3M™ Elite Series Sanders

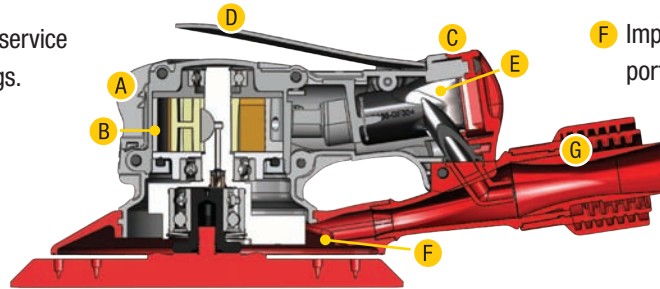
### Rugged Durability. Enhanced Comfort. Proven Performance. Get it all.

3M took our best line of air-powered Random Orbital Sanders and just made it better.

- A** Composite cover with Exclusive 3M™ Gripping Material extends to base to absorb and reduce vibration.
- B** The aluminum body reduces downtime, and keeps tools in service by preventing cracked housings.

- C** The wrist rest is extended and curved for more wrist support.
- D** Lever is recessed, so no pinch points.

- E** An internal muffler, *now also on SGV models*, decreases noise up to 6 dB. Mufflers have also been relocated internally, so they won't easily break off.
- F** Improved dust collection port — wider port for improved dust collection.
- G** Improved angle on dust housing allows easier access to air fitting.



## NEW! The 3M™ Electric Sanders

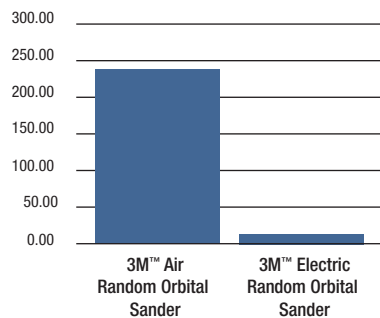
### When you need performance that compressed air can't provide.

Sometimes, air compressors are not able to consistently supply clean, dry air at the right pressure, leading to inconsistent performance. Sometimes you need the mobility to use 3M tools where compressed air isn't available. That's when you can count on the consistency and versatility of our premium 3M™ Electric Random Orbital Sanders.

- 1** Provides significant energy cost savings vs. pneumatics.

You could recoup your initial investment in the first year of operation.

Annual Electricity Usage Estimate



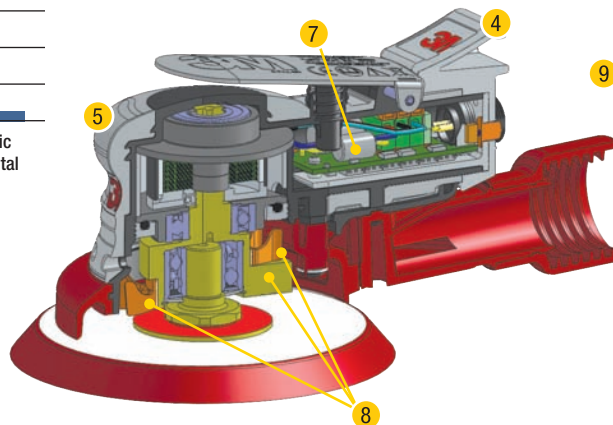
Other factors may affect electricity usage. Cost savings is not guaranteed.

**Assumptions:**

Compressor Size (HP)	100
Efficiency of Compressor	90%
Cost of Electricity	0.07 per kWh
Per day use	4 Hours

- 2** 150 Watts (30 Volts d.c. at 5 Amps) uses power much more efficiently than other electric sanders and doesn't transfer that power into excess heat.
- 3** Low-profile design enables increased operator control and less vibration.
- 4** The integrated extended wrist rest is curved to offer more wrist support.

- 5** Composite cover with exclusive 3M™ Gripping Material extends to base to absorb and reduce vibration.
- 6** The quiet motor design reduces overall noise.
- 7** Sealed motor prevents contamination and extends tool life.
- 8** Proprietary cooling that curbs premature tool burnout.
- 9** Variable speed settings for customizing performance.



# Endless solutions. Power-packed performance. Built-in comfort.

## Combine 3M™ Power Tools, 3M™ Abrasives and 3M™ Accessories to Maximize Productivity!

**Endless Solutions** — tailored for you — exist with the new 3M™ Electric or Elite Series Air Sanders combined with 3M™ Abrasives and Accessories.

### Less Vibration for More Comfort

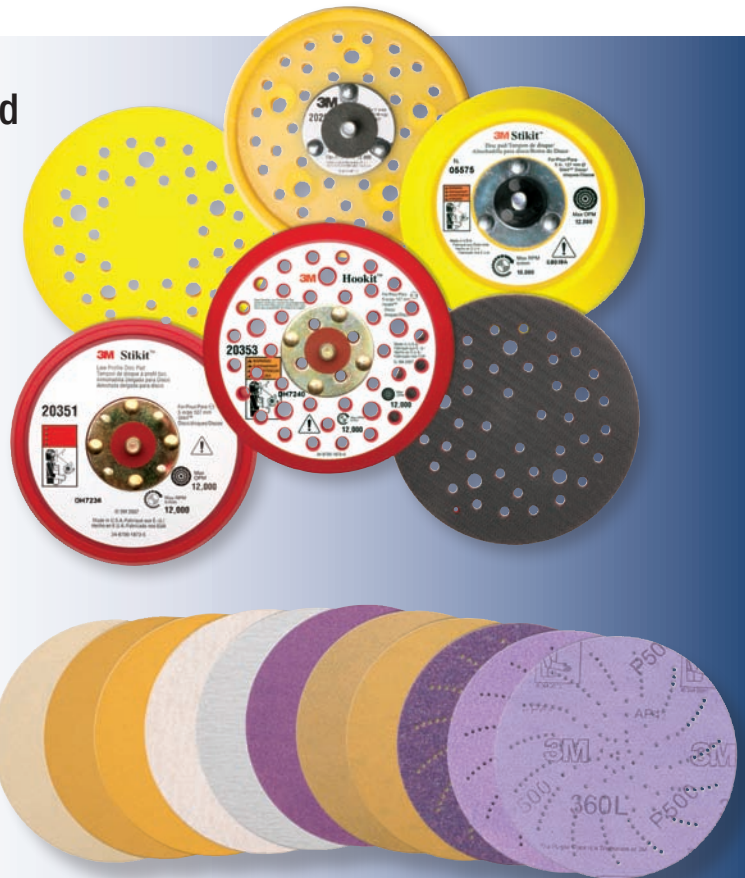
We've redefined ergonomics. The compact, low-profile and lightweight design features cushioned 360° wrap-around 3M™ Gripping Material that extends to the base, absorbing and reducing vibration. The result? Operators can produce more with less effort and fatigue.

### Increased Durability for Decreased Downtime

Enhanced tool design minimizes common repair issues so your tools spend more time on the floor, and less time "on the bench."

### New 3M™ Power Tools Give You More Options

Dozens of tools with more choices for vacuum options, grip sizes, orbits, tool diameter sizes and RPMs.



## The 3M™ Original Series Sanders.

If you loved the original line of air-powered 3M™ Random Orbital Sanders for general-purpose applications, many models are **still available** (see page 6 for configurations available). This innovative line set the standard for outstanding performance, value, reliability and operator comfort.

Today's players continue the tradition of exceeding expectations and providing excellent results — especially when used with 3M Abrasives and 3M Accessories.





# The Right Tools



## NEW! 3M™ Elite Series Air-Powered Sanders

3M UPC#	Part No	Tools Description	Size	Orbit Dia.	
051141-28496-5	28496	3M™ Elite Series <i>Non-Vacuum</i> Random Orbital Sanders	3" Dia.	3/32"	
051141-28494-1	28494			3/16"	
051141-28498-9	28498		5" Dia.	3/32"	
051141-28497-2	28497			3/16"	
051141-28495-8	28495		6" Dia.	5/16"	
051141-28501-6	28501			3/32"	
051141-28500-9	28500		3/16"		
051141-28499-6	28499		5/16"		
051141-28505-4	28505		3M™ Elite Series <i>Central Vacuum</i> Random Orbital Sanders	3" Dia.	3/32"
051141-28503-0	28503				3/16"
051141-28507-8	28507	5" Dia.		3/32"	
051141-28506-1	28506			3/16"	
051141-28504-7	28504	6" Dia.		5/16"	
051141-28509-2	28509			3/32"	
051141-28508-5	28508	3/16"			
051141-28502-3	28502	5/16"			
051141-28513-9	28513	3M™ Elite Series <i>Self-Generated Vacuum</i> Random Orbital Sanders		3" Dia.	3/32"
051141-28511-5	28511				3/16"
051141-28515-3	28515		5" Dia.	3/32"	
051141-28514-6	28514			3/16"	
051141-28512-2	28512		6" Dia.	5/16"	
051141-28517-7	28517			3/32"	
051141-28516-0	28516		3/16"		
051141-28510-8	28510		5/16"		
051141-28527-6	28527		3M™ Orbital Elite Series, Non-Vac	70mm x 198mm	1/8"
051141-28528-3	28528		3M™ Orbital Elite Series, Central Vac		
051141-28529-0	28529	3M™ Orbital Elite Series, Self-Gen Vac			

## NEW! 3M™ Electric Random Orbital Sanders

3M UPC#	Part No	Tools Description	Size	Orbit Dia.
051141-28523-8	28523	3M™ Electric <i>Non-Vacuum</i> Random Orbital Sanders <i>Kit</i> <i>Includes:</i> One (1) Electric Sander, one (1) Power Supply w/AC Cord and one (1) 12' Cord	5" Dia.	3/32"
051141-28524-5	28524		5" Dia.	3/16"
051141-28525-2	28525		6" Dia.	3/32"
051141-28526-9	28526		6" Dia.	3/16"
051141-28426-2	28426	3M™ Electric <i>Non-Vacuum</i> Random Orbital Sanders	5" Dia.	3/32"
051141-28427-9	28427		5" Dia.	3/16"
051141-28428-6	28428		6" Dia.	3/32"
051141-28429-3	28429		6" Dia.	3/16"
051141-28519-1	28519	3M™ Electric <i>Central Vacuum</i> Random Orbital Sanders <i>Kit</i> <i>Includes:</i> One (1) Electric Sander, One (1) Power Supply w/AC Cord and one (1) 12' Cord	5" Dia.	3/32"
051141-28520-7	28520			3/16"
051141-28521-4	28521		6" Dia.	3/32"
051141-28522-1	28522			3/16"
051141-28430-9	28430	3M™ Electric <i>Central Vacuum</i> Random Orbital Sanders	5" Dia.	3/32"
051141-28431-6	28431			3/16"
051141-28432-3	28432		6" Dia.	3/32"
051141-28433-0	28433			3/16"
<b>3M™ Electric Random Orbital Sander Accessories</b>				
051141-28434-7	28434	3M™ Power Cord, Low Voltage, 18AWG, 12 feet		
051141-28435-4	28435	3M™ Power Cord, Extra Long, Low Voltage, 24 feet		
051141-28436-1	28436	3M™ Power Supply with AC Power Cord		
051141-28478-1	28478	3M™ AC Power Cord, 110 volt		

## 3M™ Original Series Air-Powered Sanders

3M UPC#	Part No	Tools Description	Size	Orbit Dia.
<b>3M™ Original <i>Non-Vacuum</i> Pneumatic Sanders</b>				
051141-20331-7	20331	3M™ Orbital Sander, 10,000 RPM	3" x 4"	—
051141-28337-1	28337	3M™ Random Orbital Sander — Two-Hand	6" Dia.	3/8"
051141-20317-1	20317		5" Dia.	3/16"
051141-20324-9	20324	3M™ Random Orbital Sander	6" Dia.	5/16"
051141-20325-6	20325			3/16"
051141-20244-0	20244	3M™ Mini Random Orbital Nib Sander	1-1/4" Dia.	3/16"
<b>3M™ Original <i>Central Vacuum</i> Pneumatic Sanders</b>				
051141-20430-7	20430	3M™ Orbital Sander, 10,000 RPM	3" x 4"	—
<b>3M™ Original <i>Self-Generated Vacuum</i> Pneumatic Sanders</b>				
051141-20431-4	20431	3M™ Orbital Sander, 10,000 RPM	3" x 4"	—
051141-20208-2	20208	3M™ Random Orbital Sander	6" Dia.	5/16"
051141-20319-5	20319		5" Dia.	3/16"
051141-20327-0	20327		6" Dia.	

# And the Right Accessories to Optimize Your System

## Disc Pads

Tool Size	3M™ Stikit™			3M™ Hookit™		
	Stock Removal			Stock Removal		
	High ▲	Medium ▲	Finishing ▲	High ▲	Medium ▲	Finishing ▲
Application	▼ PAD HARDNESS ▼			▼ PAD HARDNESS ▼		
	Firm	Medium	Soft	Firm	Medium	Soft
<b>3" Non Vac Random Orbital Sander</b>						
Removal		* 20348		28472	20427 ■ 20350	20428
<b>3" Central or Self Gen Vac Random Orbital Sanders</b>						
Removal					20427 ■ 20350	20428
<b>5" Non Vac Random Orbital Sanders</b>						
Removal	* 20351 05555 85104	05575 45215 88736	05545	20352 05755	05775	05858 77855
<b>5" Central or Self Gen Vac Random Orbital Sanders</b>						
Removal	05655	45217	05645	* ■ 20353 05855	■ 20206 82659	■ 20290 05858 77856
<b>6" Non Vac Random Orbital Sanders</b>						
Removal	05556 * 20354	05576	05546	20355 05756	05776	05551
<b>6" Central or Self Gen Vac Sanders</b>						
Removal	05656	45218	05646	■ 20356 05856	■ 05865 05876	05551 ■ 20425
<b>Orbital Sanders</b>						
3" x 4" Non Vac					* 20433	
3" x 4" Central or Self Gen Vac		20432			* ■ 20435	
70mm x 198mm Non Vac					* ■ 28531	
70mm x 198mm Central or Self Gen Vac					* ■ 28531	

■ = Clean Sanding Disc  
\* = Comes With Tool

## Clean Sanding Accessories

Accessory Name	Size	Part No.	UPC	Qty.
Large Filter Bag – HEPA Rated	Up to .5 lbs	20452	051141-20452-9	50
X-Large Filter Bag – HEPA Rated	Up to 3 lbs	28364	051141-28364-7	20
Backpack Assembly	—	28365	051141-28365-4	1
Filter Bag Adapter	1" Ext Hose Thread X 1" ID	20453	051141-20453-6	10
Filter Bag End Cap	1" Diameter	28383	051141-28383-8	1
3M™ Hookit™ Soft Interface Pad (Soft)	3" (6 Holes)	05771	051131-05771-5	10
	6" (25 Holes)	05777	051131-05777-7	10
	5" (31 Holes)	20278	051141-20278-5	10
Clean Sanding Soft Interface Disc Pad (Soft)	5" (44 Holes)	28321	051141-28321-0	10
	6" (52 Holes)	28322	051141-28322-7	10
Clean Sanding Interface Disc Pad (Medium)	5" (31 Holes)	28323	051141-28323-4	10

## Tool Accessories

Accessory Name	Size	Part No.	UPC	Qty.
3M™ Air Tool Lubricant	4 fl. oz.	20451	051141-20451-2	1



**3M** Imperial™ Stikit™  
Dust-Free Abrasives

**Purple**  
The Ultimate Abrasive





# Ordering Information

<b>3M™ Imperial™ Stikit™ Dust-Free Discs – Fine Grades</b>				
Part No.	Size	Grade	Discs/Roll	Rolls/Case
<b>00405</b>	5 in.	P500	100	4
<b>00406</b>	5 in.	P400	100	4
<b>00407</b>	5 in.	P360	100	4
<b>00408</b>	5 in.	P320	100	4
<b>00409</b>	5 in.	P280	100	4
<b>00410</b>	5 in.	P240	100	4
<b>00411</b>	5 in.	P220	100	4
<b>00412</b>	5 in.	P180	100	4
<b>00413</b>	5 in.	P150	100	4
<b>00414</b>	5 in.	P120	100	4
<b>00415</b>	5 in.	P100	100	4
<b>00416</b>	5 in.	P80	100	4
<b>00417</b>	6 in.	P500	100	4
<b>00418</b>	6 in.	P400	100	4
<b>00419</b>	6 in.	P360	100	4
<b>00420</b>	6 in.	P320	100	4
<b>00421</b>	6 in.	P280	100	4
<b>00422</b>	6 in.	P240	100	4
<b>00423</b>	6 in.	P220	100	4
<b>00424</b>	6 in.	P180	100	4
<b>00425</b>	6 in.	P150	100	4
<b>00426</b>	6 in.	P120	100	4
<b>00427</b>	6 in.	P100	100	4
<b>00428</b>	6 in.	P80	100	4
<b>3M™ Imperial™ Stikit™ Dust-Free Discs – Coarse Grades</b>				
Part No.	Size	Grade	Discs/Roll	Rolls/Case
<b>00469</b>	6 in.	P120E	50	4
<b>00470</b>	6 in.	P100E	50	4
<b>00471</b>	6 in.	P80E	50	4
<b>00473</b>	6 in.	40E	50	4
<b>00474</b>	6 in.	36E	50	4
<b>00475</b>	8 in.	P120E	25	4
<b>00476</b>	8 in.	P100E	25	4
<b>00477</b>	8 in.	P80E	25	4
<b>00479</b>	8 in.	40E	25	4
<b>00480</b>	8 in.	36E	25	4
<b>3M™ Imperial™ Stikit™ Dust-Free Discs – Coarse Grades 12-Hole</b>				
Part No.	Size	Grade	Qty/Box	Box/Case
<b>00481</b>	8 in.	P80E	25	4
<b>00482</b>	8 in.	40E	25	4
<b>00483</b>	8 in.	36E	25	4

<b>3M™ Imperial™ Stikit™ Dust-Free Sheets – Coarse Grades</b>				
Part No.	Size	Grade	Qty/Box	Boxes/Case
<b>00490</b>	2¾ in. x 16 in.	P100E	50	4
<b>00491</b>	2¾ in. x 16 in.	P80E	50	4
<b>00493</b>	2¾ in. x 16 in.	40E	50	4
<b>00494</b>	2¾ in. x 16 in.	36E	50	4

<b>3M™ Stikit™ Dust-Free Accessories</b>			
Part No.	Size	Qty/Box	Box/Case
<b>05646</b>	Low Profile Dust-Free Finishing Disc Pads for 6 in. Dust-Free Discs Replacement Pad for standard 6 hole pattern for Random Orbital Vacuum sanders only. Soft foam body for fine finish sanding	1	10
<b>05655</b>	Low Profile Dust-Free Disc Pads for 5 in. Dust-Free Discs Replacement Pad for standard 5 hole pattern for Dual Action & Random Orbital - Vacuum sanders	1	10
<b>05656</b>	Low Profile Dust-Free Disc Pads for 6 in. Dust-Free Discs Replacement Pad for standard 6 hole pattern for Dual Action & Random Orbital - Vacuum sanders	1	10
<b>05666</b>	Low Profile Dust-Free Disc Pads with Removable Center Studs for 6 in. Dust-Free Discs Replacement Pad for Non-Ion Detroit and other tools with removable center studs	1	10
<b>05681</b>	Dust-Free Disc Pads for 8 in. Gear Driven Sanders Replacement Pads for models with 5 mounting holes	1	1