

3M**5N11****Particulate Filter, N95**

User Instructions for 3M™ Particulate Filter 5N11, N95
IMPORTANT: Keep these User Instructions for reference.

98-0060-0059-4_7
 34-8726-5153-3

For use only with products listed below according to NIOSH approval labels:

- 3M™ Half Facepiece Respirator 6000 Series, or
- 3M™ Half Facepiece Respirator 7000 Series, or
- 3M™ Ultimate FX Full Facepiece Reusable Respirator FF-400 Series, or
- 3M™ Scott™ AV-632 Bayonet Adapter with 3M™ Scott™ AV-3000 HT Facepieces and 3M™ Scott™ AV-3000 with SureSeal Facepieces

This respirator filter has dual approval as a United States (US) National Institute for Occupational Safety and Health (NIOSH) N95 particulate filter and as a Brazil Ministry of Labor approved P2 S particulate filter. Specific information is provided where applicable. All other information is common to both standards.

Refer to facepiece User Instructions for Installation

**⚠ WARNING**

This filter helps protect against certain airborne particles.
Misuse may result in sickness or death.

IMPORTANT

Before use, the wearer must read and understand all User Instructions for the respiratory system according to NIOSH approval labels. Keep these User Instructions for reference.

Use For

- Certain solids such as those from processing minerals, coal, iron ore, cotton, flour and certain other substances.
- Liquid or non-oil based particles from sprays that do not also emit oil aerosols or vapors.
- Certain metal fumes produced from welding, brazing, cutting and other operations involving heating of metals.

Do Not Use For

- Do not use for gases and vapors including those present in paint spraying operations, unless combined with approved chemical cartridges.
- Do not use for asbestos.
- Do not use for sandblasting.
- In the U.S., do not use when OSHA substance specific standards, such as those for arsenic, cadmium, lead in the construction industry, or 4,4'-methylenedianiline (MDA) specify other types of respiratory protection.

Biological Particles

These particulate filters can help reduce inhalation exposures to certain airborne biological particles (e.g. mold, *Bacillus anthracis*, avian influenza, *Mycobacterium tuberculosis*, etc.), but cannot eliminate the risk of contracting infection, illness or disease. OSHA and other government agencies have not established safe exposure limits for these contaminants.

Use Instructions

1. Failure to follow all instructions and limitations on the use of these filters and/or failure to wear the respirator during all times of exposure can reduce respirator effectiveness and **may result in sickness or death.**
2. Before occupational use of these filters, a written respiratory protection program must be implemented meeting all the local applicable requirements. In the U.S., follow OSHA 29 CFR 1910.134 which includes medical evaluation, training and fit testing. In the U.S., users must also comply with applicable OSHA substance specific standards. In Canada, CSA standard Z94.4 requirements must be met and/or requirements of the applicable jurisdiction, as appropriate. In Brazil, follow the requirements of the Respiratory Protection Program of the Ministry of Labor.
3. The airborne contaminants which can be dangerous to your health include those so small that you cannot see them.
4. Leave the contaminated area immediately and contact your supervisor if dizziness, irritation, or other distress occurs.
5. Store the filters and respirator away from contaminated areas when not in use.
6. Dispose of used product in accordance with applicable regulations.

Use Limitations

1. These filters do not supply oxygen. Do not use in atmospheres containing less than 19.5% oxygen.
2. Do not use when concentrations of contaminants:
 - are immediately dangerous to life or health,
 - are unknown,
 - are greater than 10 times the permissible exposure limit (PEL) with half facepiece respirators and full facepiece respirators when qualitatively fit tested,
 - are greater than 50 times the PEL with full facepiece respirators when quantitatively fit tested, or
 - exceed specific local applicable government regulations (such as OSHA standards in the U.S.) or other applicable government regulations, whichever is lower.
3. Do not alter, clean (e.g. vacuum, wash, use compressed air), abuse or misuse these filters and/or respirator.
4. Do not use with beards or other facial hair or other conditions that prevent a good seal between the face and the sealing surface of the respirator.




In Brazil, according to the Respiratory Protection Program of the Ministry of Labor, do not use when concentrations of contaminants are greater than 10 times the permissible exposure limit using a half facepiece or 100 times the permissible exposure limit using a full facepiece.

Time Use Limitation

If filters become damaged, soiled, or breathing becomes difficult, leave the contaminated area immediately and replace the filters.

Storage Conditions and Shelf Life

Before use, store filters in the original packaging away from contaminated areas, dust, sunlight, extreme temperatures, excessive moisture and damaging chemicals. When stored in accordance with temperature and humidity conditions specified below, the filter may be used until the "use by" date specified on packaging. Always inspect product and conduct a user seal check before use as specified in the respirator User Instructions. **If you CANNOT achieve a proper seal, DO NOT enter the contaminated area. See your supervisor.**

-  End of Shelf Life
Use respirators before the "use by" date specified on packaging
-  Storage Temperature Range
-20°C (-4°F) to +30°C (+86°F)
-  Storage Maximum Relative Humidity
<80% RH

Assembly Instructions for 5N11 filter with 501 (07054) retainer and cartridge

1. Place the 5N11 filter into the 501 (07054) filter retainer so the printed side of the filter faces up (Fig. 1).
2. Press the cartridge into 501 (07054) filter retainer. Filter retainer should attach securely to cartridge. The 5N11 filter **must** completely cover the face of the cartridge (Fig. 2). Printing on the filter is not visible when the filter is properly oriented.
3. To replace the 5N11 filter, remove the 501 filter retainer by lifting on the tab (Fig. 3).

NOTE: Use of the 501 (07054) filter retainer may aid respirator wearer in conducting a negative pressure User Seal Check.

Assembly Instructions for 5N11 filter with 603 adapter and 501 (07054) retainer

1. Align notch on edge of 603 adapter with facepiece mark, as shown, and push together (Fig. 4).
2. Turn adapter 1/4 turn clockwise to stop. To remove adapter, turn 1/4 turn counterclockwise (Fig. 5).
3. Place filter into 501 retainer with filter printing facing towards the 603 adapter. Snap together and ensure the filter seal is free from creases or gaps (Fig. 6).

NIOSH Approved: N95 Particulate Filter.

At least 95% filtration efficiency against solid and liquid aerosols that do not contain oil.

For Compliance in Brazil NOTE: Particulate Filter 5N11, P2 S

In Brazil, Ministry of Labor approved as filter class P2 S.

NOTE:

1. In Brazil do not use when concentrations of contaminants are greater than 100 times the permissible exposure limit in air-purifying mode using full facepiece.
2. Do not use in deficient or enriched oxygen atmospheres.
3. Storage, Transportation and Care: Store in a clean and dry place and away from contaminants and extreme temperature and humidity.
4. The components of this respirator are made of materials which are not expected to cause adverse health effects.
5. It is necessary to have special care to use this product in explosives atmospheres.

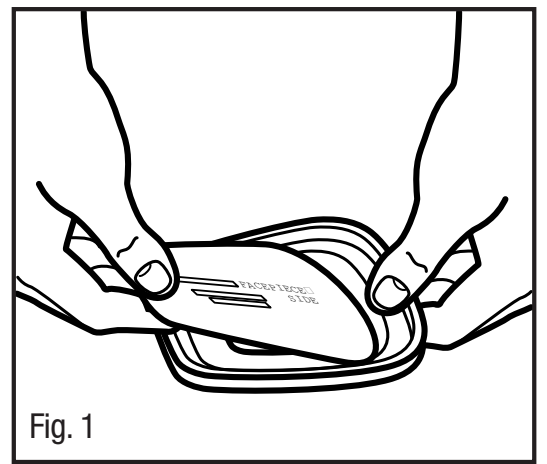


Fig. 1

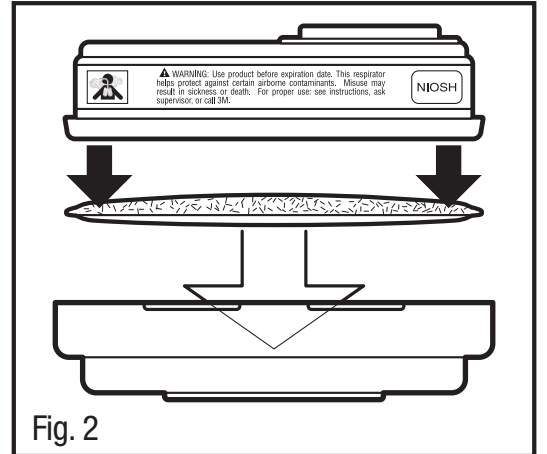


Fig. 2

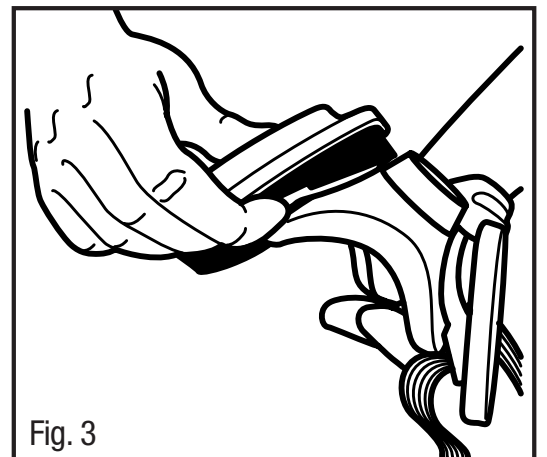


Fig. 3

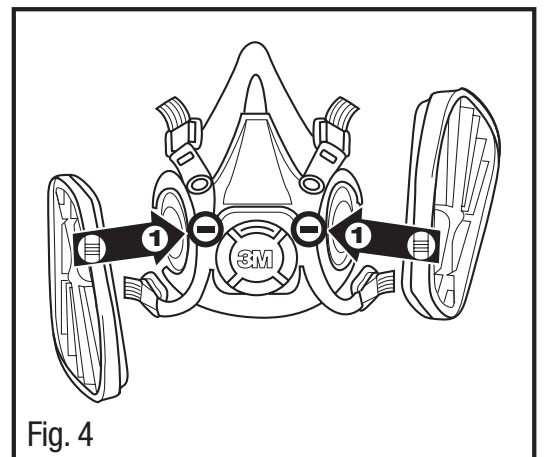


Fig. 4

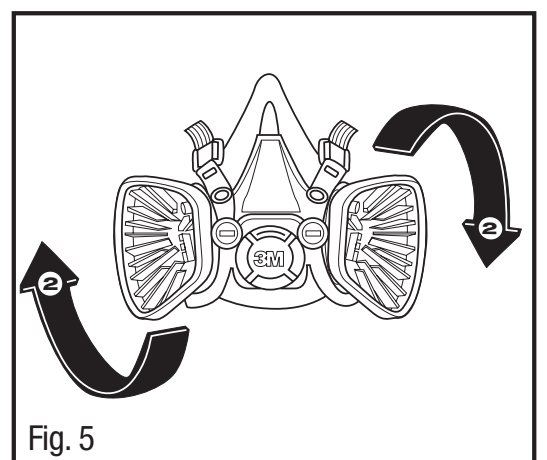


Fig. 5

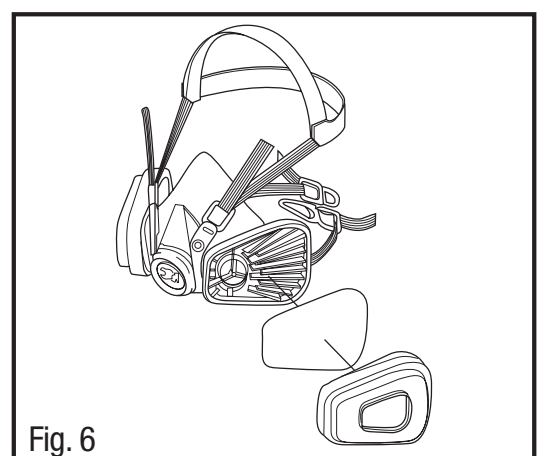


Fig. 6