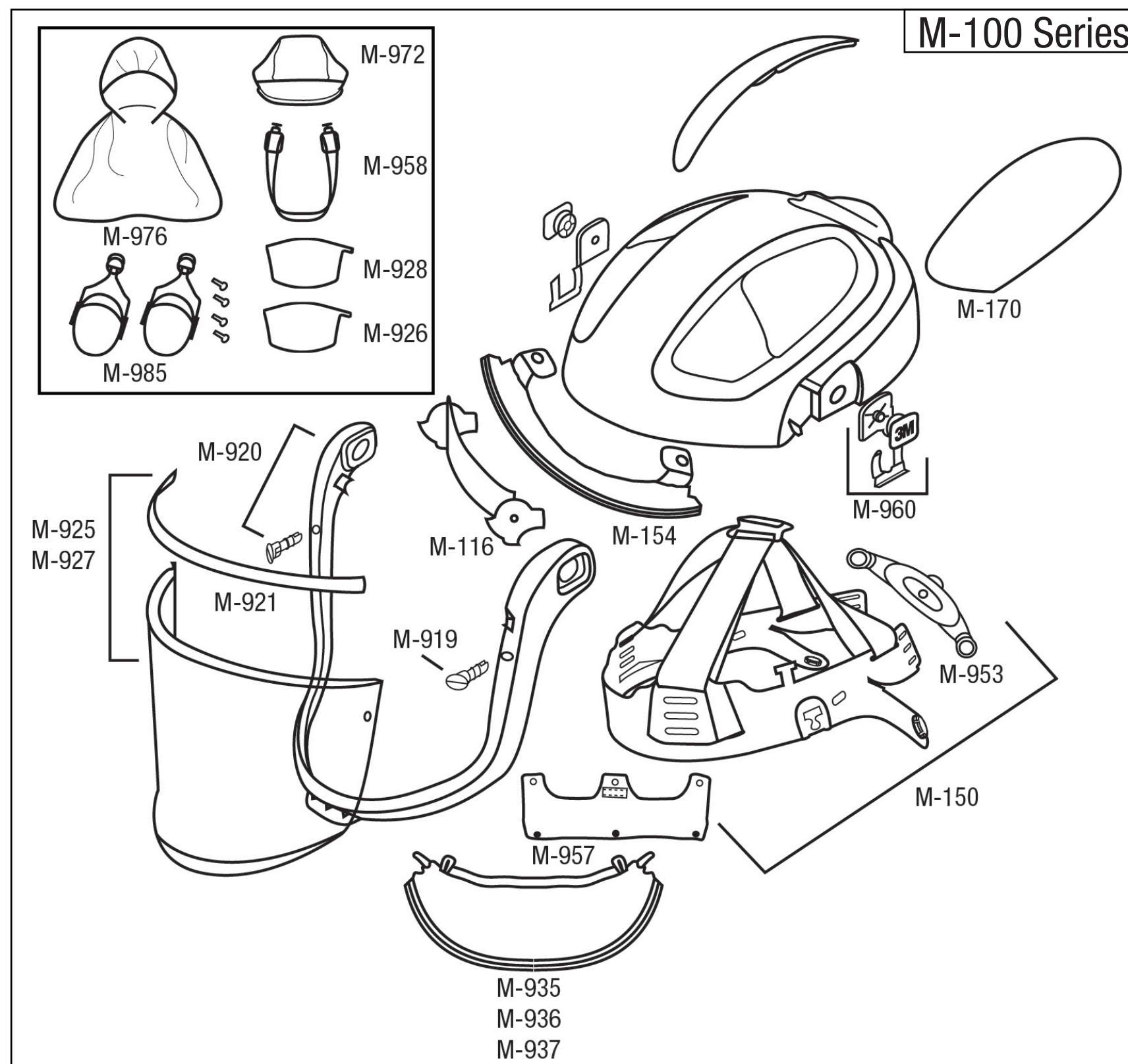


3M™ Versaflo™ M-100 Series Parts and Accessories



If you discover any signs of wear and/or damage, remove headgear from use and service or replace as appropriate. 3M recommends a maximum life (shelf life plus in use life) of 3 years from the date of manufacture. See the M-Series User Instructions for details on inspection and replacement.

Part Number	AAD Cat. Number	Description	Replace when maximum life is reached or when/if:
Headgear Assemblies			
M-101		Respiratory Faceshield, without visor and face seal	
M-105	37314	Respiratory Faceshield Assembly: includes standard visor (M-925), face seal (M-935), size reducing comfort pad (M-956), and peel off (M-926)	
M-107		Respiratory Faceshield Assembly: includes premium visor (M-927), flame resistant face seal (M-937), size reducing comfort pad (M-956), and peel off (M-928)	
Replacement Parts			
M-116		Airflow Deflector	damaged or broken
M-150	37316	Head Suspension	damaged or broken, ratchet will not tighten, or after a severe impact
M-154		Forehead Seal	loose, damaged or missing
M-919		Visor Frame Buttons	damaged or missing
M-920	37320	Visor Frame Assembly: includes 2 visor frame buttons (Visor not included)	damaged or missing
M-921	37321	Visor Gasket	brittle, torn or otherwise damaged
M-925	37323	Standard Visor	scratched, cracked, crazed, warped or otherwise damaged
M-927	37324	Premium Visor	scratched, cracked, crazed, warped or otherwise damaged
M-935	37325	Standard Face Seal	torn, stretched, holes are found or otherwise damaged
M-936	37326	Comfort Face Seal	torn, stretched, holes are found or otherwise damaged
M-937		Flame Resistant Face Seal	torn, stretched, holes are found or otherwise damaged
M-953	37189	Headband Ratchet	damaged or broken, ratchet will not tighten
M-957	37010	Forehead Comfort Pad/Sweat Pad	dirty or foam begins to degrade
M-960		Visor Pivot Kit: includes 2 pivots, 2 springs, and 2 back plates	damaged or missing
Accessories			
M-170	37318	Faceshield Head Inserts	damaged or broken
M-926	37322	Peel-Off Visor Covers, for M-925 Standard Visor	difficult to see through
M-928	37452	Peel-Off Visor Covers, for M-927 Premium Visor	difficult to see through
M-956	37327	Size Reducing Ratchet Comfort Pad (not shown)	worn or damaged
M-958	37012	Chin Strap	worn or damaged
M-972	37331	Flame Resistant Headgear Cover	ripped, holes are found or otherwise damaged
M-976	37332	Head Neck and Shoulder Cover	torn, stretched, holes are found or otherwise damaged
M-985	37333	Headgear-Mounted Earmuff Assembly	damaged or broken