

Backpack

User Instructions

IMPORTANT: Before use, the wearer must read and understand these *User Instructions*. Keep these *User Instructions* for reference.



⚠ WARNING

This component is part of a system that helps protect against certain airborne contaminants.

Contact Information

Read all instructions and warnings before using. Keep these *User Instructions* for reference. If you have questions regarding this product contact 3M Technical Service in your region.

Description

The 3M™ Backpack BPK-01 is designed to be used with the 3M™ Versaflo™ TR-300, TR-600 (with adapter plate), and 3M™ Adflo™ Powered Air Purifying Respirators (PAPRs). The backpack is an optional accessory which may be used in place of the belt to secure the blower unit to the wearer.

NIOSH –Approval, Cautions, & Limitations

This product is one component of a NIOSH approved respiratory protection system. Refer to the *User Instructions* and/or the NIOSH approval label provided with the 3M PAPR blower unit for approved configurations and applicable NIOSH Cautions and Limitations.

Assembly

3M™ Versaflo™ TR-300/3M™ Adflo™ PAPRs

The BPK-01 backpack may be used in place of the belt (Fig. 1):

1. With either end of the motor/blower towards the top of the backpack (end with the drag handle), thread the backpack strap through the top retaining slot on the motor/blower and the large retaining sleeve (Fig. 2-1) on the backpack.
2. Thread the strap through the lower retaining slot on the motor/blower and the small retaining sleeve (Fig. 2-2) on the backpack.
3. Thread the strap through the buckle (Fig. 2-3) and tighten down.
4. Don the backpack and adjust the shoulder straps for a comfortable fit.

3M™ Versaflo™ TR-600 PAPER

The BPK-01 backpack with the TR-655 backpack adapter plate (Fig. 3) may be used in place of the belt (Fig. 4):

1. Attach the TR-655 backpack adapter plate to the BPK-01 backpack as shown in Fig. 5, steps 1-4. Be sure the buckle on the BPK-01 is slide all the way down.
2. With a filter/cartridge and filter cover installed, place the motor/blower face down on a table with outlet facing away from you.
3. Place the 4 keyholes of the TR-655 backpack adapter plate onto the 4 T-bars on the back of the motor/blower (Fig. 5, step 5).
4. Push down on the adapter plate between the top and bottom keyholes on each side.
5. Slide the adapter plate up (Fig. 5, step 5) until the plate's edge snaps over the locking tabs on the bottom of the motor/blower (Fig. 5, step 6).
6. Ensure all four of the connection points are properly installed.
7. Gently tug on belt to ensure it is securely attached to the motor/blower unit.
8. Don the backpack and adjust the shoulder straps for a comfortable fit.

Read completely and follow the *User Instructions* for the PAPR system being used with this backpack to complete system assembly and performance checks.

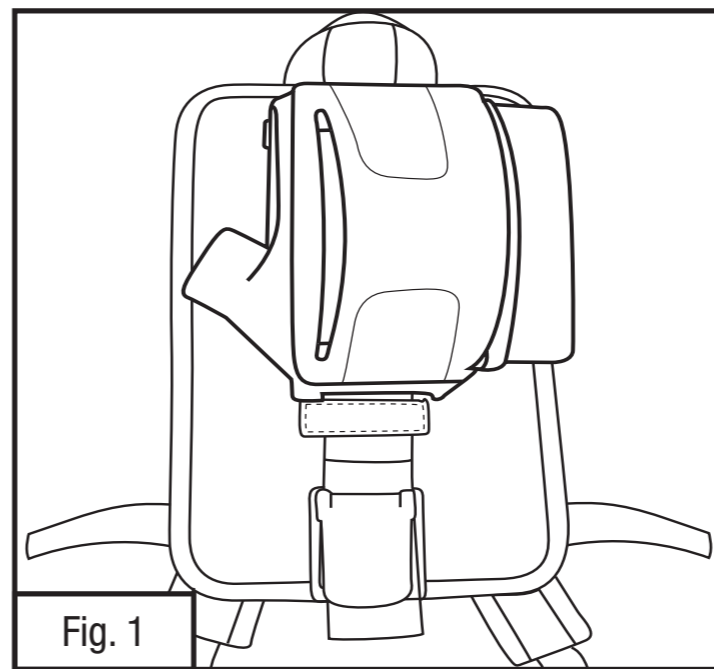


Fig. 1

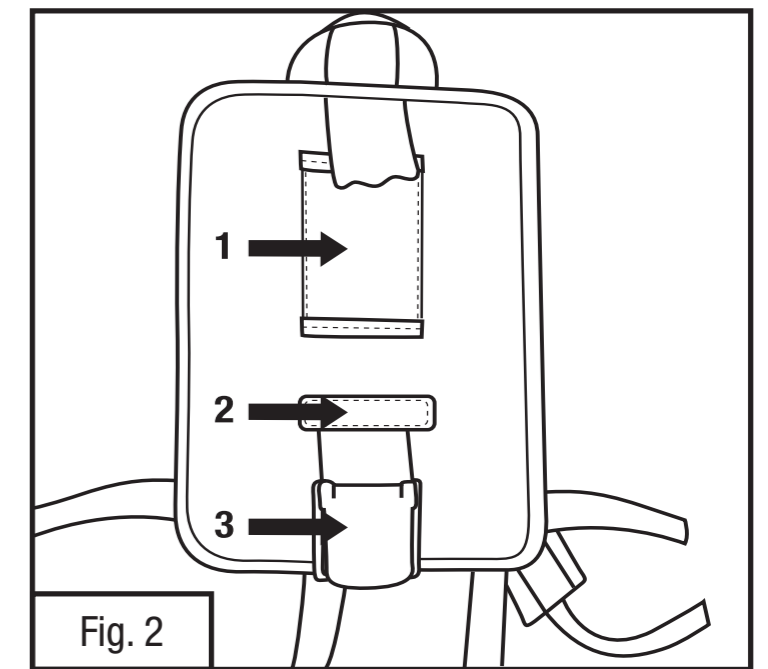


Fig. 2

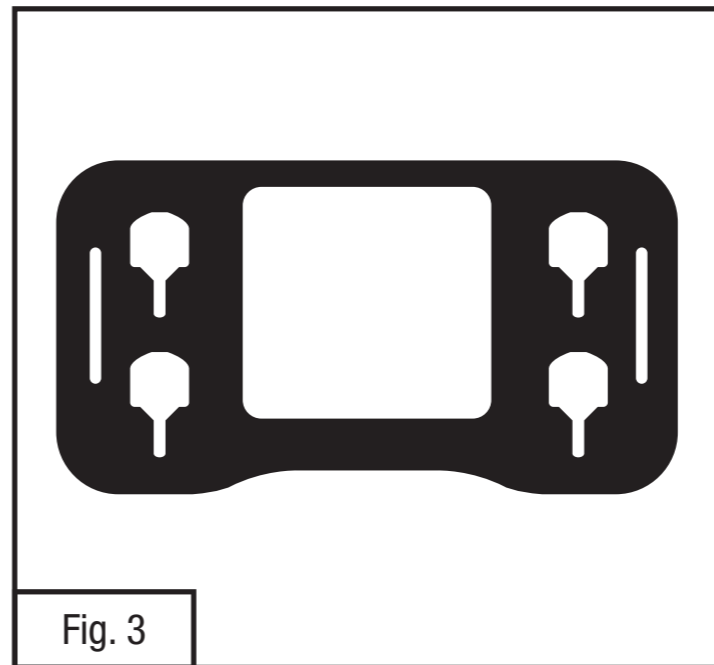


Fig. 3

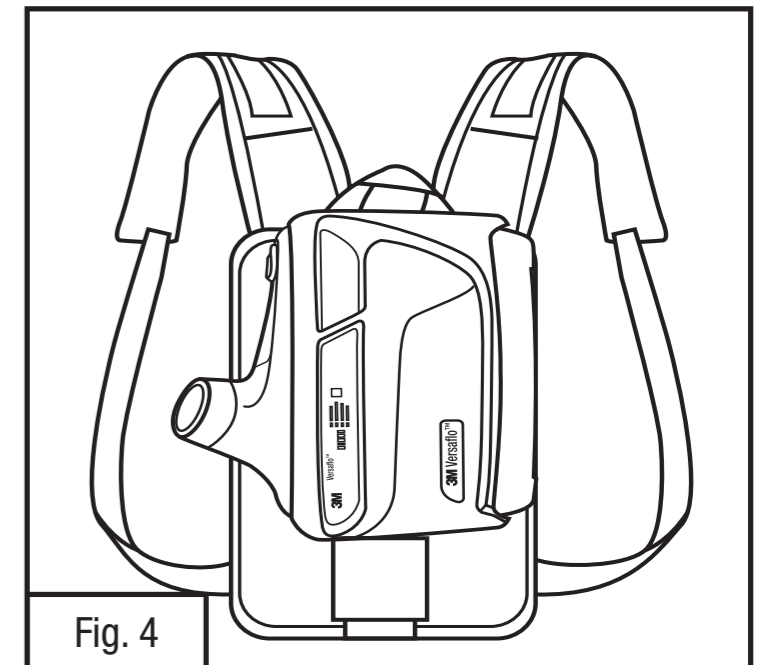


Fig. 4

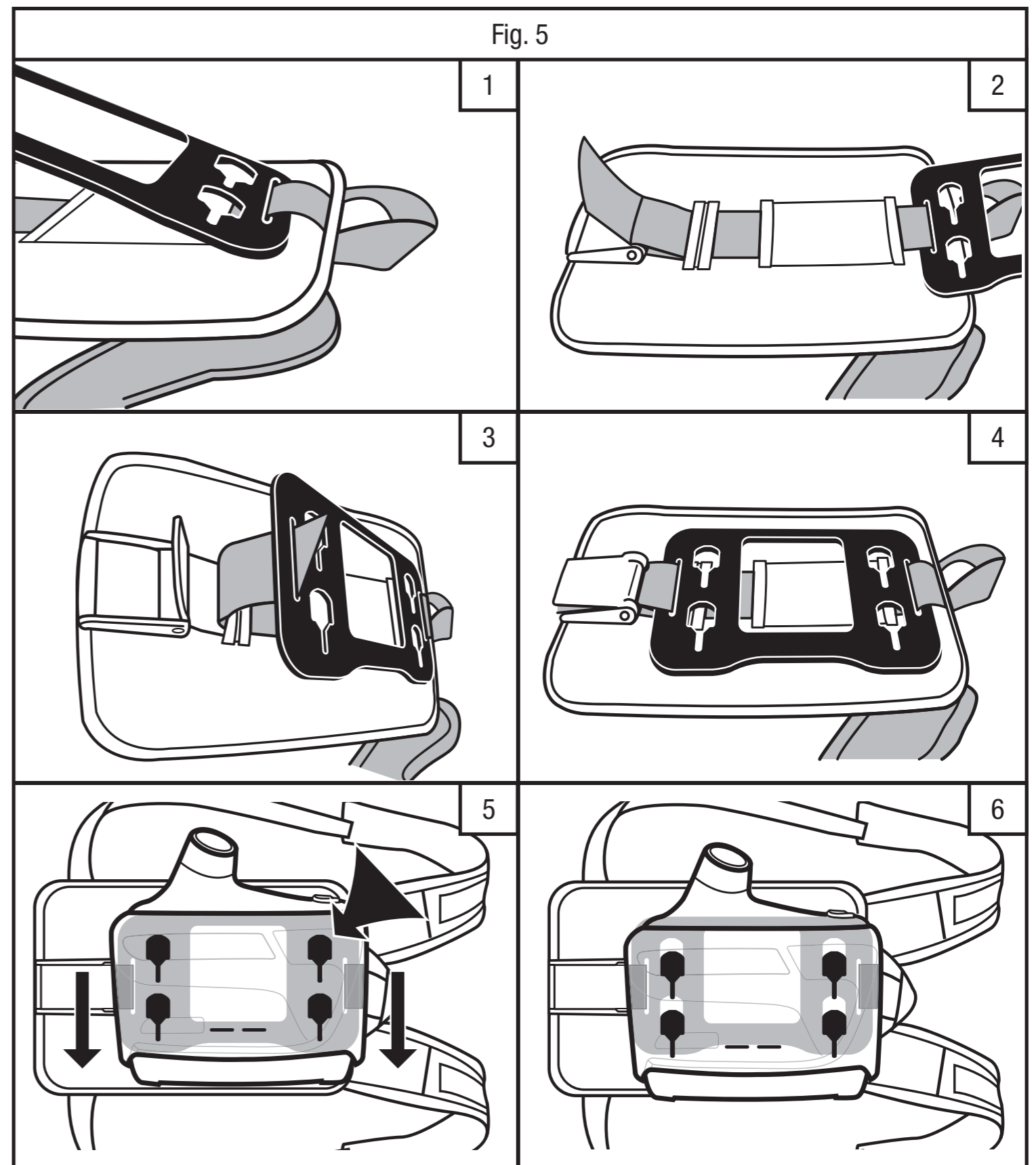


Fig. 5