

3M Sweat Pad L-115-10/37010* (Replacement for W-2870-5)

*For use with 3M™ L-Series Headgear, H-Series Hoods, Whitecap™ Helmets and Hardcap Assembly
(Keep this insert for reference)*

The 3M™ Sweatband W-2870-5 is no longer available. This package includes 10 replacement 3M™ Sweat Pads L-115. These *User Instructions* are intended to assist the user in installing the sweat pad in various head (cap) suspensions.

The 3M™ Sweat Pad L-115-10 remains an existing part of the 3M™ Head Suspension L-113-2 for the 3M™ L-Series Headgear.

Important Changes

The 3M sweat pad L-115-10 replaces the sweatband W-2870-5 in the following products:

- The 3M™ Cap Suspension H-113-2 for the 3M™ H-Series Hoods
- The 3M™ Head Suspension W-2878-2 and Ratchet Suspension W-2879 for the H-Series Hoods, Whitecap™ Helmets, and Hardcap Assembly W-2860

Please correct all references to W-2870-5 in your 3M headgear *User Instructions* to reflect this change.

Installing the 3M™ Sweat Pad L-115 onto a Suspension

1. Remove the old sweatband from the suspension. For H-113-2 users, also remove the black foam that is adhered to the forehead area of the headband.
2. Wrap the new sweat pad around the headband as shown in figures A and B, in the area that comes into contact with your forehead.
3. Secure the sweat pad by closing the three snaps.

Cleaning and Inspecting the L-115

The 3M sweat pad L-115 may be washed in a respirator dishwasher or laundered with warm water and a mild detergent, then rinse with clean water. Washing temperatures should not exceed 120 degrees F (49 degrees C). When the foam on the sweat pad begins to degrade, replace it.

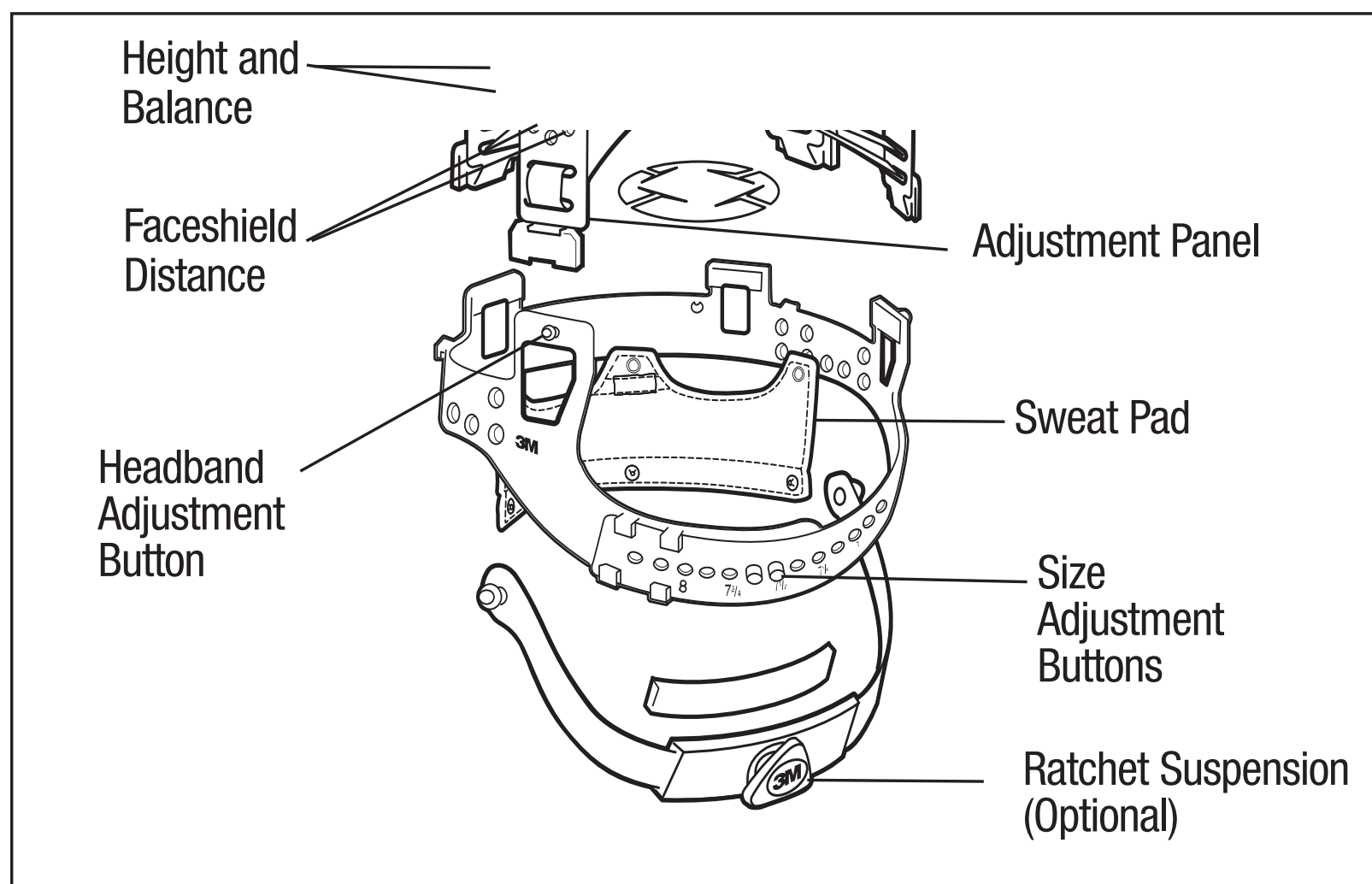


Fig. A: 3M™ Suspension W-2878/79 with Sweat Pad L-115

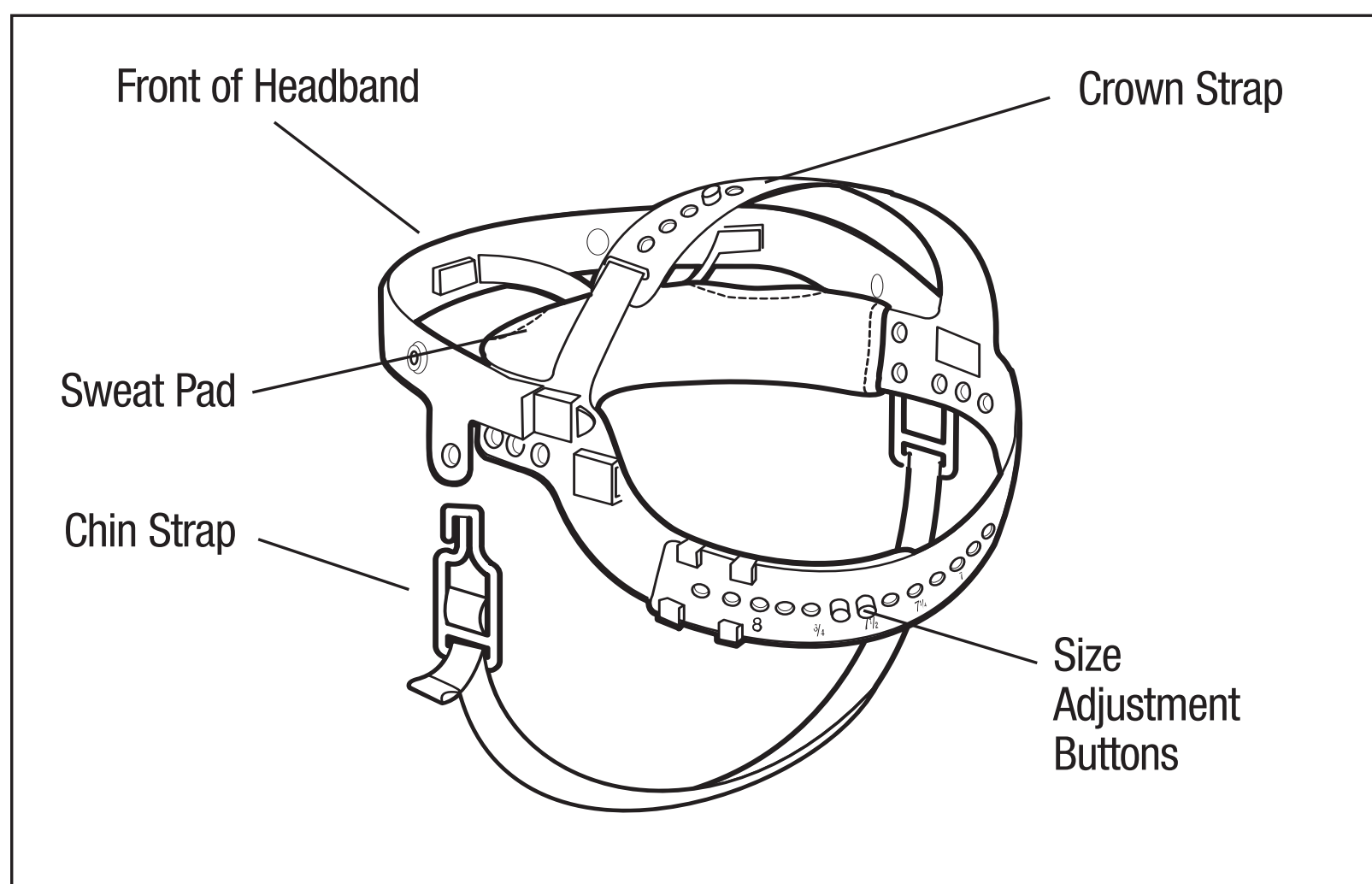


Fig. B: 3M™ Suspension H-113 with Sweat Pad L-115